

**Section B**

**WOOD LANES  
&  
WOOD GUTTERS**

Index No.	Part No.	Description	Index No.	Part No.	Description
*1.	52-100083-002	Maple Bedstock (1-5/64" x 2-3/4")		11-040663-001	Slt'd. Flat Hd. Wood Screw (#14 x 3")
*2.	21-057216-000	Pine Bedstock (1-5/64" x 2-3/4")		15-611285-000	C.R. Flat Hd. Wood Screw (#14 x 3-1/2")
*3.	21-042538-000	Maple Patching (1-3/32" x 3/4")		15-610089-000	Slt'd. Flat Hd. Wood Screw (#16 x 1-3/4")
	21-033042-000	Maple Patching (1-9/64" x 3/4")		11-040695-001	Slt'd. Flat Hd. Wood Screw (#16 x 3-1/2")
*4.	21-042539-000	Pine Patching (1-3/32" x 3/4")		11-040227-001	Slt'd. Flat Hd. Wood Screw (#20 x 4")
	21-033043-000	Pine Patching (1-9/64" x 3/4")		11-040228-001	C. R. Flat Hd. Wood Screw (#20 x 4-1/2")
**5.	15-066169-000	Magic Wood (1 Lb. Can)	22.	52-100203-000	Maple Dowel (1/2" x 2")
<b>BLACK FIBRE FOUL LINE</b>				52-100204-000	Maple Dowel (11/16" x 2-1/2")
6.	21-082527-000	42-1/2" x 1/2" x 1/2"	23.	52-033065-000	Pine Dowel (1/2" x 2")
	21-042886-000	42-1/2" x 3/4" x 1/2"		52-100211-000	Pine Dowel (11/16" x 2-1/2")
	21-047665-000	42-1/2" x 1" x 1/2"	24.	52-200060-000	Red Fibre Dowel (11/16" x 3/4")
	21-081895-000	42-1/2" x 1" x 1/2" (Cut for 21-089814-000 Spline)	25.	52-200059-000	Red Fibre Dowel (1/2" x 3/4")
7.	21-089814-000	Spline - Aluminum (Used w/ <b>124-01-010</b> )	**26.	11-900107-000	#8D Nail (Lb.)
8.	21-042904-000	Fibre Dowel (3/16" x 2")		11-900108-000	#10D Nail (Lb.)
9.	21-016034-000	Black Fibre Bed Spot		52-100209-000	#6D Screw Nail (Lb.)
10.	N.A.	Nu-Wood (6" x 3-1/2" x 1/2")		N.A.	#13 x 3/4" Nail (Lb.)
11.	52-100210-000	Nu-Wood (42" x 3-1/2" x 1/2")	27.	21-202155-000	#6D Finishing Nail
12.	N.A.	Nu-Wood (48" x 1-5/8" x 1/2")	28.	21-202156-000	Upper Pit Header Plank
13.	21-087297-000	Plywood (42" x 7-1/2" x 1/2")	29.	21-202429-000	Lower Pit Header Plank
14.	N.A.	Trim Panel (84" x 10" x 1/4")	30.	52-100315-000	Spline
	19-083209-000	Trim Panel (84" x 18" x 1/4")	31.	11-190018-001	Bed Bolt (1/2-13 x 40-3/8")
15.	52-100201-000	Maple Shoe Moulding (L.F.)	32.	11-125108-001	Plain Washer (1/2)
	52-100202-000	Pine Shoe Moulding (L.F.)	33.	N.A.	Hex Nut (1/2-13)
16.	52-100291-000	Maple Base Moulding (L.F.)		61-860074-000	General Lane Patch Kit
**17.	16-590060-000	White Glue (1/2 Pint)		61-860073-000	Epoxy Pine Patch Kit
18.	N.A.	Bed Clamp		N.A.	Epoxy Maple Patch Kit
19.	N.A.	Slt'd. Flat Hd. Wood Screw (#14 x 1-1/2")	34.	52-200058-000	Synthetic Lane Patch Kit
20.	52-200061-000	Maple Approach Flooring (1-5/64" x 1-1/2")	35.	11-676654-000	Range Finder Dart
**21.	N.A.	Slt'd. Flat Hd. Wood Screw (#12 x 1-1/2")	36.	N.A.	Adhesive (for Dart Installation)
	N.A.	Slt'd. Flat Hd. Wood Screw (#12 x 1-3/4")	37.	N.A.	Bridge Level w/Case
			38.	11-125004-001	Glass Vial Only
			39.	N.A.	Hex Nut (10-24)
			**40.	N.A.	Slt'd. Rd. Hd. Machine Screw (10-24 x 2")
					Carrying Case Only

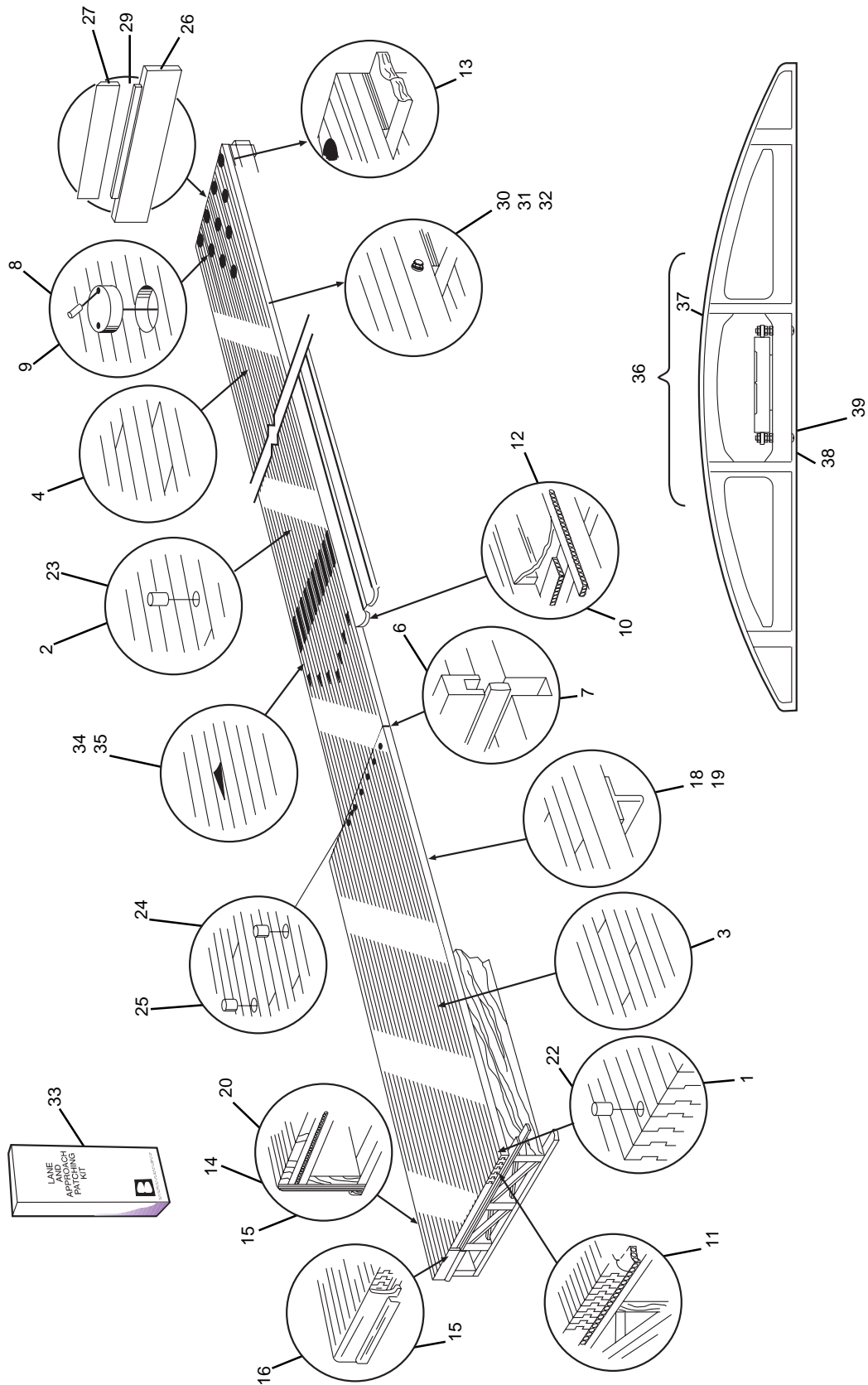
N.A. = No Longer Available

\* Minimum order quantity is 30 feet

\*\* Not Illustrated

\*\*\* Purchase Locally

## Lane & Pit End Material



### Lane & Pit End Material

Index No.	Part No.	Description	Index No.	Part No.	Description
<b>WOOD GUTTERS</b>			*25.	N.A.	Front Fibre Plate (33" x 15" x 3/16")
1.	N.A.	L.H. Approach End - Ten Pin		52-200005-002	Phenolic Facing (15.62" x 39.62")
2.	N.A.	R. H. Approach End - Ten Pin	26.	N.A.	Fibre Plate (15" x 50" x 3/16")
3.	52-080462-000	Center and Pit End - Ten Pin	27.	N.A.	#13 x 3/4" Nail (Lb.)
<b>ADAPTER BLOCK</b>			*28.	21-088674-000	Rear Fibre Plate (21-3/4" x 19" x 3/16")
4.	N.A.	L.H. Outside - Charcoal Gray	29.	21-042885-000	Ten Pin Spot End (2-3/4" x 1-5/64" x 46")
	N.A.	L.H. Outside - "2000" Brown	30.	21-042884-000	Ten Pin Spot End (2-3/4" x 1-5/64" x 62")
5.	N.A.	L.H. Inside - Charcoal Gray	31.	N.A.	Maple Pin End Strip w/Fibre
	52-100021-600	L.H. Inside - "2000" Brown		52-100030-000	Maple Pit End Strip w/Phenolic (1-5/64" x 2-3/4" x 46")
6.	N.A.	R.H. Inside - Charcoal Gray	32.	N.A.	Fibre Bed Plate (42" x 41" x 3/8")
	52-100020-600	R. H. Inside - "2000" Brown	33.	N.A.	Cleat - 3 Ply Full Bored w/o Hdwe. - 39 Boards (1-1/2" x 42" x 14")
7.	N.A.	R.H. Outside - Charcoal Gray	34.	N.A.	Cleat - 3 Ply Full Bored w/o Hdwe. - 42 Boards
	52-100020-600	R.H. Outside - "2000" Brown	35.	N.A.	Cleat - 3 Ply Unbored w/o Hdwe.
8.	21-090495-000	Gutter Coupler - Ten Pin	36.	N.A.	Apron Assembly - Ten Pin
	11-086365-003	Self Tapping C.R. Flat Hd. Screw (#8 x 3/4")	37.	N.A.	Apron Assembly - Duck and Candle Pin
	52-100207-000	Grommet Nut	38.	N.A.	Metal Loop - Ten Pin
9.	52-860062-004	L.H. Pit End Gutter Assembly	39.	N.A.	Metal Loop - Duck and Candle Pin
10.	52-860062-003	R.H. Pit End Gutter Assembly	40.	N.A.	Loop Bracket
11.	52-100205-005	L.H. Pit End Gutter Moulding	41.	N.A.	Slt'd. Rd. Hd. Wood Screw (#8 x 3/4")
12.	52-100205-004	R.H. Pit End Gutter Moulding	42.	N.A.	Stud
13.	52-100205-006	Pit End Gutter Bottom	**43.	N.A.	Lower Fibre Plate (7-3/8" x 31" x 3/16")
14.	21-089714-002	Gutter Head	**44.	N.A.	Upper Fibre Plate (15" x 65" x 3/16")
<b>WOOD GUTTER</b>			**45.	N.A.	Adhesive for Fibre Plate
15.	N.A.	L.H. Approach End - Duck and Candle Pin	**46.	N.A.	Trim Panel - See Note (6-3/4" x 54" x 1/8")
16.	N.A.	R.H. Approach End - Duck and Candle Pin	**47.	11-676047-000	Cement (One Gallon)
17.	N.A.	Center and Pit End - Duck and Candle Pin			
18.	21-090496-000	Gutter Coupler - Duck and Candle Pin			
19.	N.A.	Outside Rear Gutter			
20.	N.A.	Inside Rear Gutter			
21.	N.A.	R.H. Outside Front Gutter			
22.	N.A.	L.H. Outside Front Gutter			
23.	N.A.	R.H. Inside Front Gutter			
24.	N.A.	L.H. Inside Front Gutter			

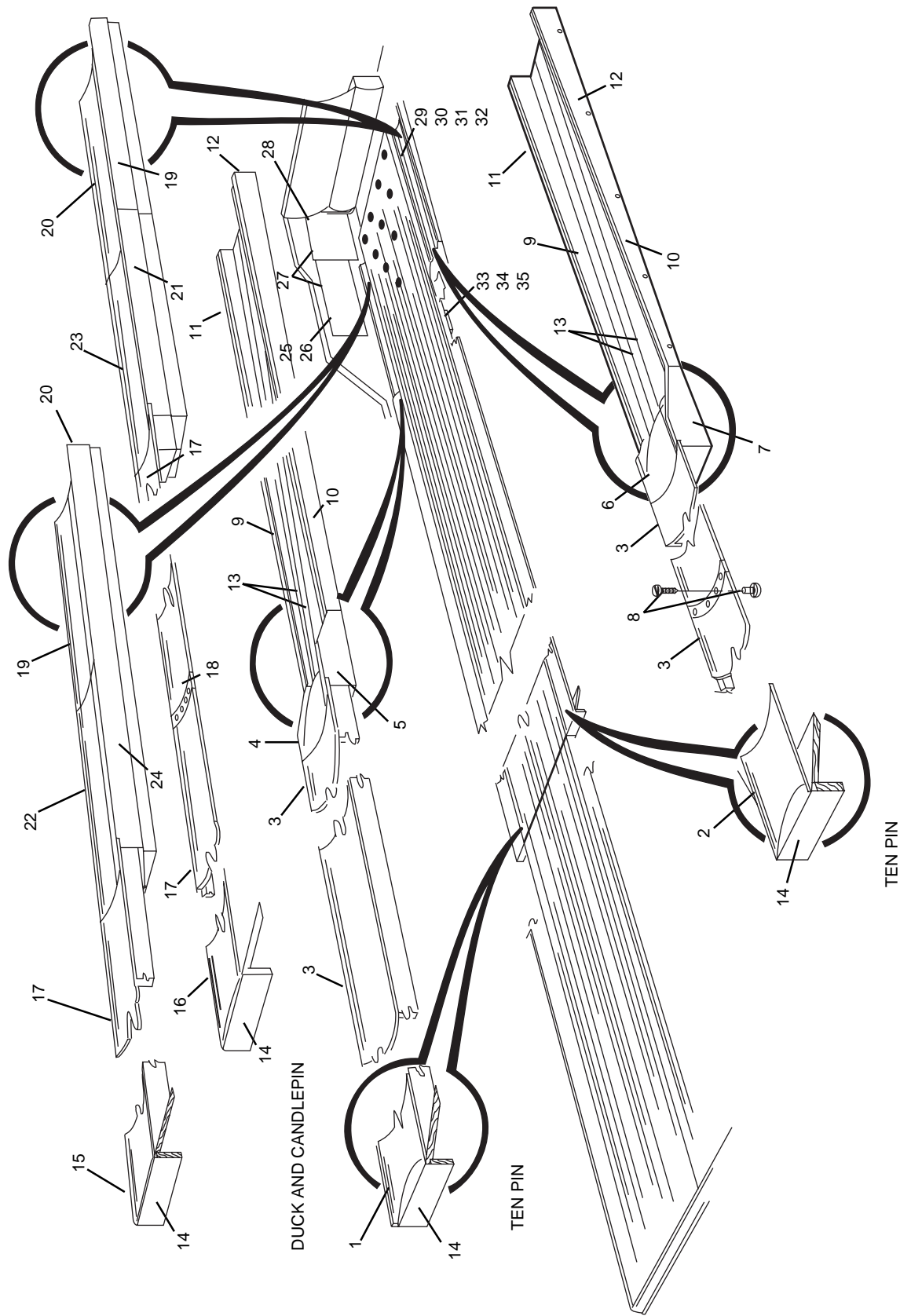
N.A. = No Longer Available

\* Use Index No. 27 (15-603401-000) Nail and  
Index No. 47 (11-676047-000) Cement

\*\* Not Illustrated

NOTE: Use to cover top of double kickback.

## Wood Gutters Lane & Pit End Materials



**Wood Gutters  
Lane & Pit End Materials**