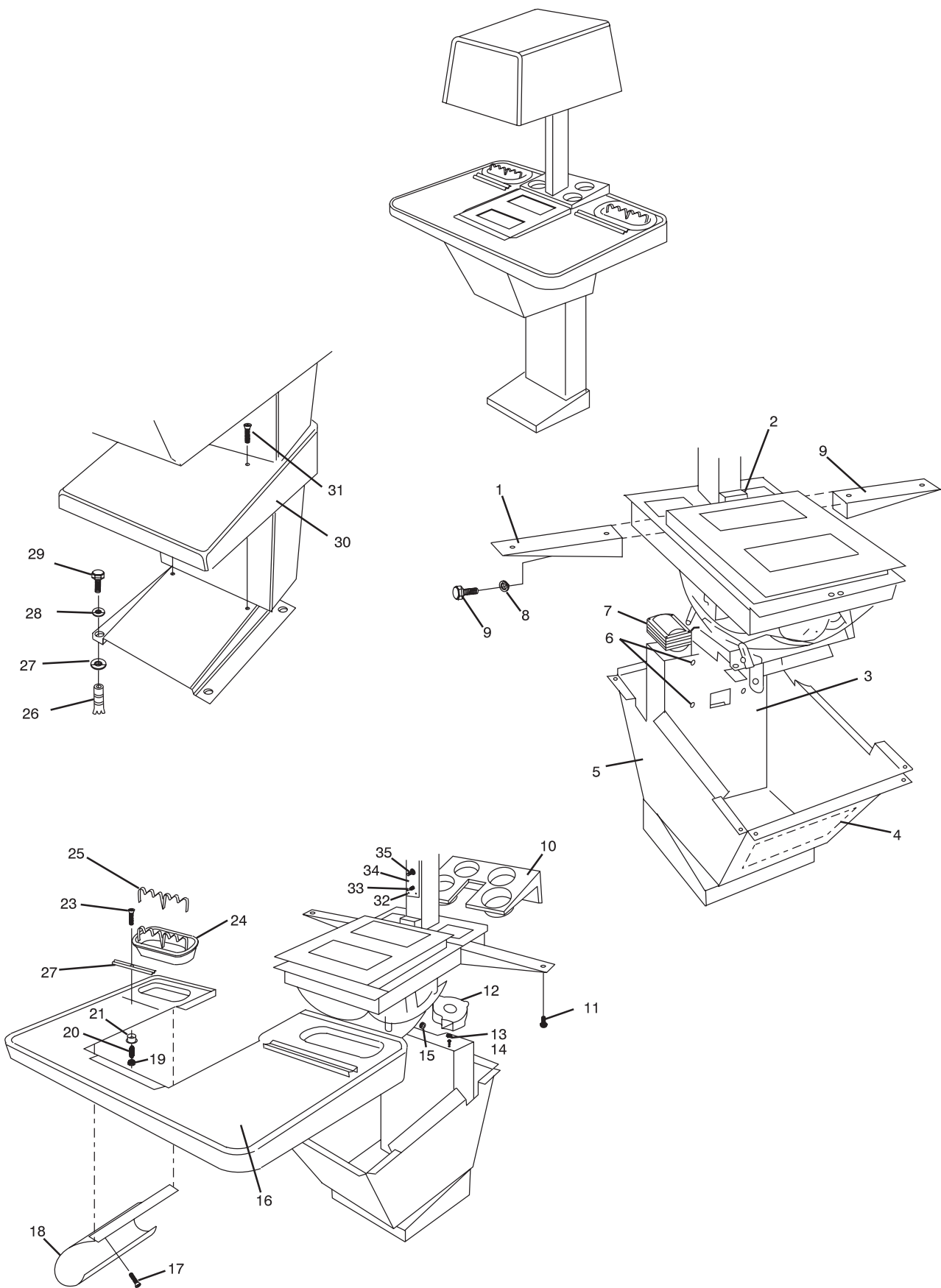


Section F

TEL-E-SCORE

Index No.	Part No.	Description
1.	N.A.	Support Bracket
2.	N.A.	Filler
3.	N.A.	Base Assembly
4.	N.A.	Wiring Diagram Decal
5.	N.A.	Lower Unit Cover
6.	N.A.	Flat Socket Hd. Cap Screw (1/4-20 x 5/8")
7.	N.A.	Autoformer Assembly (230 Volt Units Only)
8.	11-195016-001	Lockwasher (3/8)
9.	11-001342-001	Hex Hd Cap Screw (3/8 -16 x 3/4")
10.	N.A.	Bottle Holder Casting
	N.A.	Plain Casting
11.	11-082094-009	Self Tapping C.R. Rd. Hd. Screw (#10 x 3/4")
12.	N.A.	Blower Assembly
13.	N.A.	C.R. Rd. Hd. Machine Screw (10-32 x 1/2")
14.	11-198003-001	External Tooth Lockwasher (#10)
15.	N.A.	Grommet
16.	N.A.	Tel-E-Score Top Only
17.	N.A.	Self Tapping C.R. Flat Hd. Screw (#8 x 5/8")
18.	N.A.	Score Sheet Holder
19.	11-170004-001	Self Locking Nut (8-32)
20.	N.A.	Spring
21.	N.A.	Cup
22.	N.A.	Score Pad Clamp
23.	N.A.	C.R. Oval Hd. Machine Screw (8-32 x 1-1/2")
24.	N.A.	Ashtray Assembly
25.	N.A.	Ashtray Insert
26.	N.A.	Concrete Fastener (3/8)
27.	N.A.	Plain Washer (5/8)
28.	11-191014-001	Plain Washer (3/8)
29.	11-001343-001	Hex. Hd. Cap Screw (3/8-16 x 7/8")
	11-070063-001	Hex Hd. Lag Screw (3/8 x 1-3/4")
30.	N.A.	Foot Cover
31.	11-014090-009	C.R. Flat Hd. Machine Screw (8-24 x 1")
32.	N.A.	Self Tapping C.R. Rd. Hd. Screw (#4 x 3/8")
33.	N.A.	Main Switch
34.	N.A.	Service Plate
35.	N.A.	Service Switch

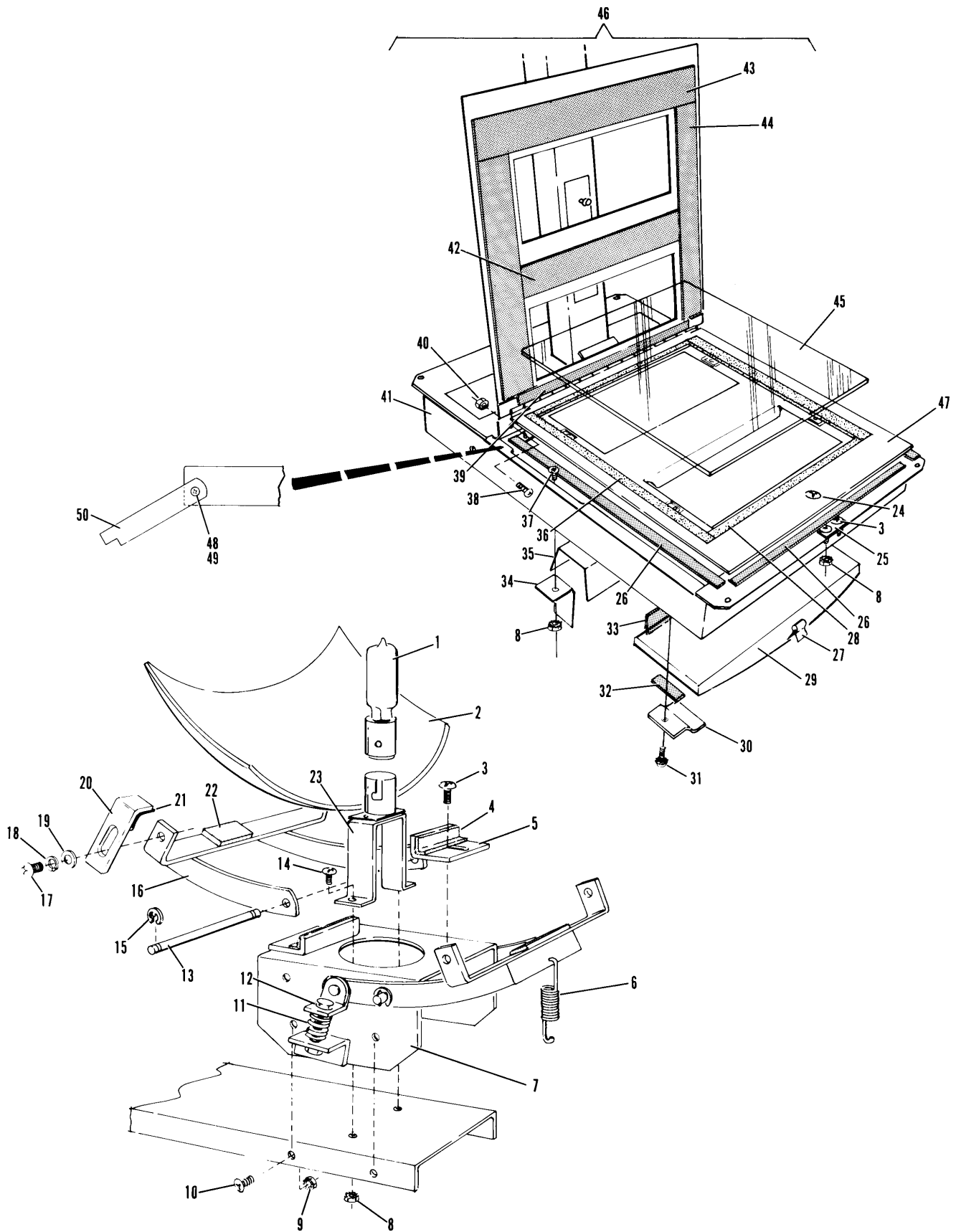
N.A. = No Longer Available



"2000" Tel-E-Score

Index No.	Part No.	Description
1.	17-213927-000	Projection Lamp (150 Watt)
2.	N.A.	Parabolic Reflector
3.	N.A.	C.R. T. Hd. Machine Screw (10-32 x 3/8")
4.	N.A.	Felt Lining
5.	N.A.	Reflector Holder
6.	N.A.	Tension Spring
7.	N.A.	Reflector Channel Assembly
8.	11-176008-001	Keps Nut (10-32)
9.	11-176000-001	Keps Nut (1/4-20)
10.	N.A.	C.R. Rd. Hd. Machine Screw (1/4-20 x 1/2")
11.	N.A.	Compression Spring
12.	11-001188-001	Hex Hd. Cap Screw (1/4-20 x 1/2")
13.	N.A.	Attaching Pin
14.	N.A.	C.R. Rd. Hd. Machine Screw (10-32 x 1/2")
15.	N.A.	Retaining Ring
16.	N.A.	Reflector Bracket Assembly
17.	N.A.	Hex Hd. Washer Ground Screw (10-32 x 3/8")
18.	11-195010-001	Lockwasher (#10)
19.	11-190006-001	Plain Washer (#10)
20.	N.A.	Reflector Clamp Assembly
	N.A.	Reflector Clamp Only
21.	N.A.	Felt Pad
22.	N.A.	Felt Pad
23.	N.A.	Lamp Holder Assembly
24.	11-014148-002	C.R. Flat Hd. Machine Screw (1/4-20 x 3/4")
	N.A.	Quick Release Nut (1/4-20)
25.	N.A.	Fastener Bracket
26.	N.A.	Felt Pad
27.	N.A.	Spring Clip
28.	N.A.	Felt Pad
29.	N.A.	Lens
30.	N.A.	Lens Clamp
31.	N.A.	C.R. Rd. Hd. Machine Screw (8-32 x 1/2")
32.	N.A.	Felt Pad
33.	N.A.	Felt Pad
34.	N.A.	Support Bracket
35.	N.A.	Lamp Shield
36.	N.A.	Felt Pad
37.	N.A.	C.R. Rd. Hd. Machine Screw (10-32 x 5/8")
38.	11-012270-001	C.R. Pan Hd. Machine Screw (6-32 x 1/4")
39.	N.A.	Felt Pad
40.	N.A.	Keps Nut (6-32)
41.	N.A.	Column Assembly
42.	N.A.	Felt Pad
43.	N.A.	Felt Pad
44.	N.A.	Felt Pad
45.	N.A.	Writing Glass
	N.A.	Protective Cover (Plastic)
46.	N.A.	Lens Case Cover Assembly
47.	N.A.	Lens Case
48.	11-014064-001	C.R. Flat Hd. Machine Screw (8-32 x 1/2")
49.	11-170004-001	Self Locking Nut (8-32)
50.	N.A.	Latch

N.A. = No Longer Available



"2000" Tel-E-Score

Index

No.	Part No.	Description
1.	*N.A.	Hood Assembly - Fibreglass
2.	**N.A.	Cover Assembly - Metal
3.	N.A.	Service Lamp Only
4.	N.A.	Service Lamp Assembly - Complete
5.	11-680101-000	Connector Plug (3 Contacts)
6.	11-680302-000	Terminal
7.	N.A.	C.R. T. Hd. Machine Screw (1/4-20 x 5/8")
8.	**N.A.	Front Window (See Note)
9.	N.A.	Mirror Support
10.	N.A.	C.R. Flat Hd. Machine Screw (1/4-20 x 5/8")
11.	11-176000-001	Keys Nut (1/4-20)
12.	*N.A.	L.H. Brace
13.	11-680201-000	Receptacle (3 Contacts)
14.	11-680301-000	Terminal
15.	N.A.	Set Screw (1/4-20 x 1/2")
16.	*N.A.	Pan Only
	N.A.	Pan Assembly - Complete
17.	N.A.	Short Clamp
18.	N.A.	Window
19.	11-024045-001	C.R. T. Hd. Machine Screw (6-32 x 3/8")
20.	11-190002-001	Plain Washer (#6)
21.	11-125001-001	Hex Nut (6-32)
22.	53-600350-000	Lens
23.	*53-600378-000	Long Clamp
24.	N.A.	Lens Holder
25.	53-600366-000	Dart Clip
26.	N.A.	Adjusting Bushing
27.	N.A.	Sems Hex Hd. Cap Screw (1/4-20 x 3/4")
28.	11-191010-001	Plain Washer (1/4)
29.	N.A.	Spring Washer (1/4)
30.	11-170007-001	Self Locking Nut (1/4-20)
31.	11-001180-001	Hex Hd. Cap Screw (1/4-20 x 5/8")
32.	N.A.	Cable Clamp
33.	N.A.	C.R. Rd. Hd. Machine Screw
34.	11-176008-001	Keys Nut (10-32)
35.	11-001182-001	Hex Hd. Cap Screw (1/4-20 x 3/4")
36.	*N.A.	R.H. Brace
37.	N.A.	C.R. Pan Hd. Machine Screw (1/4-20 x 5/8")
38.	N.A.	Spring Fastener
39.	N.A.	Lower Right Mirror Support - Shown
	N.A.	Lower Left Mirror Support - Opposite
40.	N.A.	Lower Mirror
41.	N.A.	Center Mirror
42.	N.A.	Center Mirror Support
43.	N.A.	Lamp - 25T8
44.	N.A.	Socket Assembly
45.	N.A.	Lamp Bracket
46.	N.A.	Side Mirror
47.	**N.A.	Pan Assembly
48.	**N.A.	Rubber Channel
49.	**N.A.	Decal - "Brunswick"
50.	**N.A.	Window Clamp
51.	*N.A.	Front Window
52.	*N.A.	Rear Window

N.A. = No Longer Available

* Units Serial # to 2992

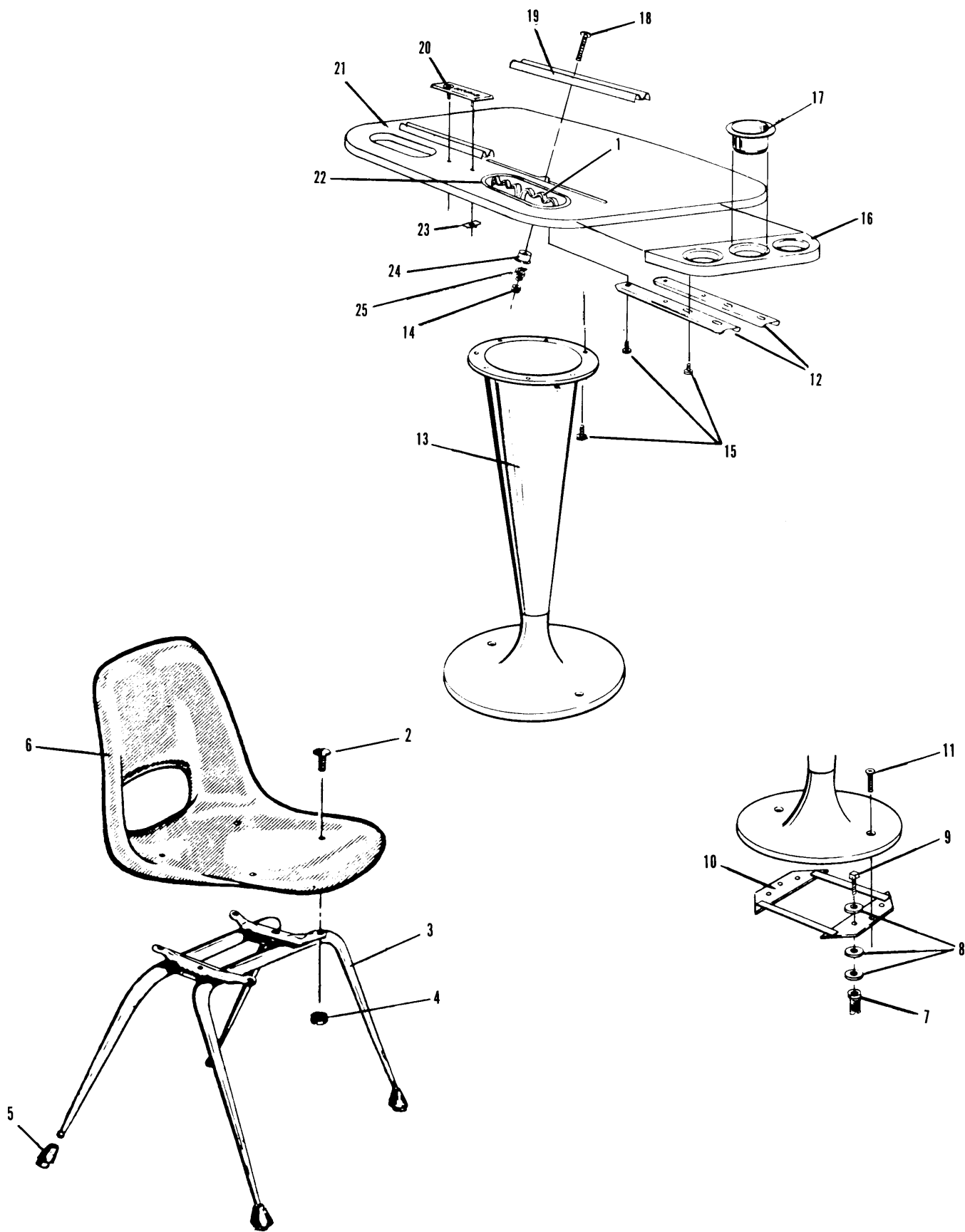
** Units Serial #2992 and Up

NOTE: Use double face tape to attach. Purchase Locally.

"2000" Tel-E-Score

Index		
No.	Part No.	Description
1.	N.A.	Ashtray Insert
2.	N.A.	T. Hd. Nib Screw (1/4-20 x 9/16")
3.	N.A.	Chassis Assembly - Brown
4.	11-176000-001	Keps Nut (1/4-20)
5.	N.A.	Glide Only
	39-109617-000	Foot Assembly w/Glide
6.	N.A.	Seat Assembly - White
7.	N.A.	Concrete Fastener (3/8-16)
	N.A.	Expansion Shield (3/8-16 x 1-1/2")
8.	11-191014-001	Plain Washer (3/8)
9.	11-001343-001	Hex Hd. Cap Screw (3/8-16 x 7/8")
	11-070063-001	Hex Hd. Lag Screw (3/8 x 1-3/4")
10.	N.A.	Floor Frame Assembly
11.	N.A.	C.R. Oval Hd. Machine Screw (5/16-18 x 1")
12.	N.A.	Support Channel
13.	N.A.	Pedestal Assembly - Gray
14.	11-170004-001	Self Locking Nut (8-32)
15.	N.A.	Self Tapping C.R. Rd. Hd. Screw (#14 x 3/4")
16.	N.A.	Glass and Bottle Rack
17.	N.A.	Glass and Bottle Holder
18.	N.A.	C.R. Oval Hd. Machine Screw (8-32 x 1-1/2")
19.	N.A.	Score Pad Clamp
20.	N.A.	Name Plate
21.	N.A.	Top Assembly
22.	N.A.	Ashtray
23.	N.A.	Speed Nut (3/16)
24.	N.A.	Cup
25.	N.A.	Spring

N.A. = No Longer Available



Scoring Ensemble & Bowling Chair