

Section G

TEL-E-FOUL

Index

No.	Part No.	Description
1.	53-860155-001	Cover w/Lens - "2000" Brown
2.	53-400241-000	Cover Only - Dark Gray
	53-860995-012	Covers - Pkg. of 2 - Dark Gray
3.	*53-600077-000	Lens - Red
4.	53-600076-000	Lens Retainer
5.	11-095008-000	Taplok Insert (1/4-20)
6.	**53-600077-002	Lens - White Matte Face
7.	11-178531-000	Tee Nut (1/4-20)
8.	53-861068-000	Tel-E-Foul - Complete (115/230 Volt 50/60 Hz)
	N.A.	Tel-E-Foul - Complete (230 Volt 50/60 Hz)
	N.A.	Tel-E-Foul - Infrared - under ball return cover only
9.	11-070505-001	Hex Hd. Lag Screw (#10 x "2)
10.	11-042123-001	Slted. Rd. Hd. Wood Screw (#12 x 3/4")
11.	53-600102-000	Mounting Plate
12.	11-040157-001	C.R. Flat Hd. Wood Screw (#14 x 1-1/2")
13.	11-042061-001	Slted. Rd. Hd. Wood Screw (#8 x 1/2")
14.	53-600087-000	Lamp Clip
15.	N.A.	Cover w/Lens - Astroline Off-White
	N.A.	Cover w/Lens - "2000" Ermine White
16.	N.A.	Cover Only - "2000" Ermine White
17.	11-024524-001	C.R. T. Hd. Machine Screw w/Nylok (6-32 x 5/16")
18.	53-600093-000	Shorting Plug Assembly
19.	11-680201-000	Receptacle (3 Contacts)
20.	N.A.	Wire w/Pin - White/Gray (2-3/4")
21.	11-680301-000	Terminal
22.	11-026300-004	C.R. Oval Hd. Machine Screw (1/4-20 x 3-1/2")
23.	11-190008-001	Plain Washer (#12)
24.	53-600088-000	Mounting Plate Assembly
25.	53-600163-000	Cover Only - "2000" Ermine White
	53-860996-012	Cover Only - Lt. Grey
	84-860551-000	Cover Only -Frameworkx Plastic
26.	53-600100-000	Reflector and Bracket Assy.
27.	53-600099-000	Bracket Only
28.	11-042524-001	C.R. Rd. Hd. Wood Screw (#6 x 3/4")
29.	53-600101-000	Reflector Only
30.	53-600074-000	Reflector and Bracket Assy.
31.	53-600073-000	Bracket Only
32.	11-024168-002	C.R. T. Hd. Machine Screw (10-24 x 5/8")
33.	N.A.	Twin Pilot Nut (10-24)
34.	N.A.	L.H. Return Cover - Astroline Gray
	N.A.	L.H. Return Cover - "2000" Brown
35.	N.A.	R.H. Return Cover - Astroline Gray
	N.A.	R.H. Return Cover - "2000" Brown
36.	11-042125-000	Slted. Rd. Hd. Wood Screw (#12 x 1")
37.	***57-860215-000	Standard Tel-E-Foul PCB
38.	***57-861011-001	Infrared Tel-E-Foul PCB
	***57-861011-002	Infrared Sensor Only

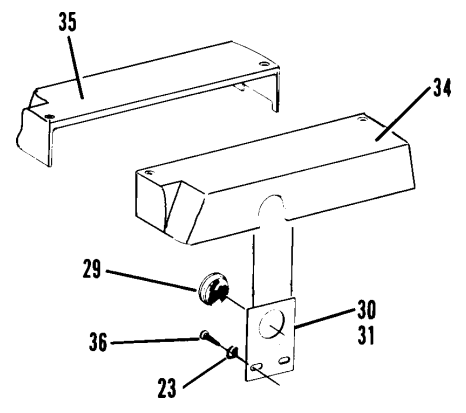
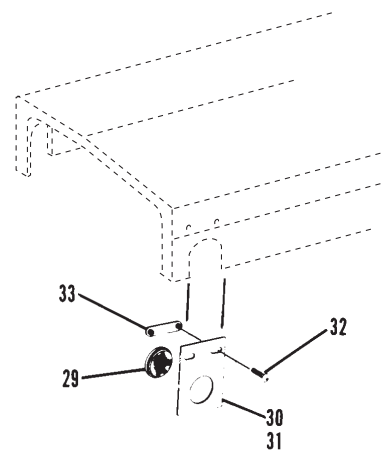
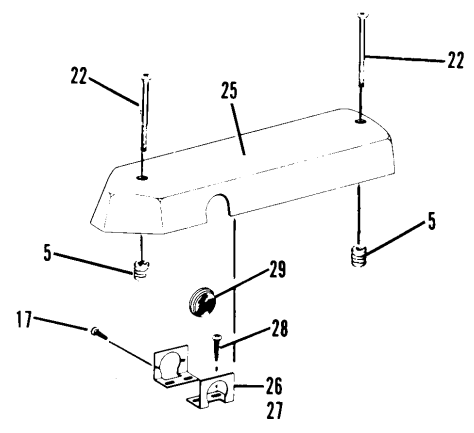
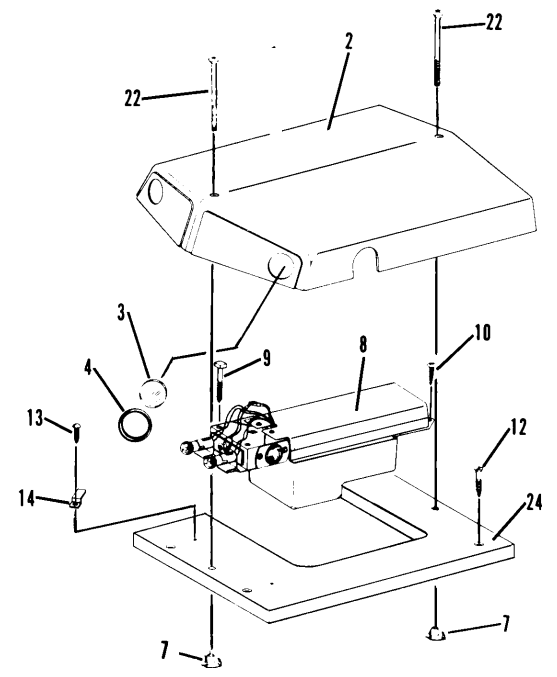
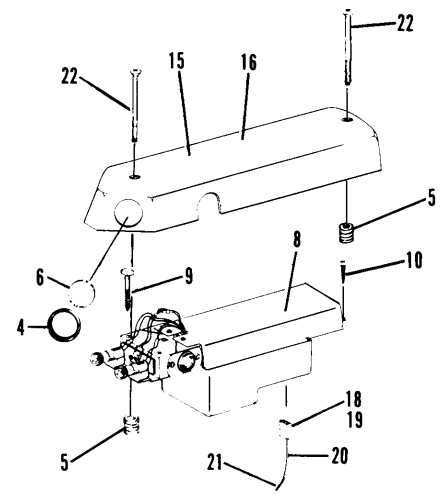
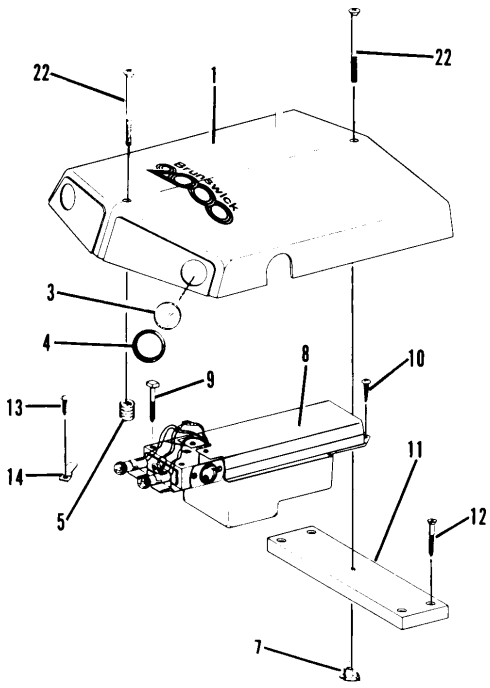
N.A. = No Longer Available

* For Subway Return Systems

** For Surface or Concealed Surface Return Systems

*** Not Illustrated

Tele-E-Foul Cover & Reflector Assemblies



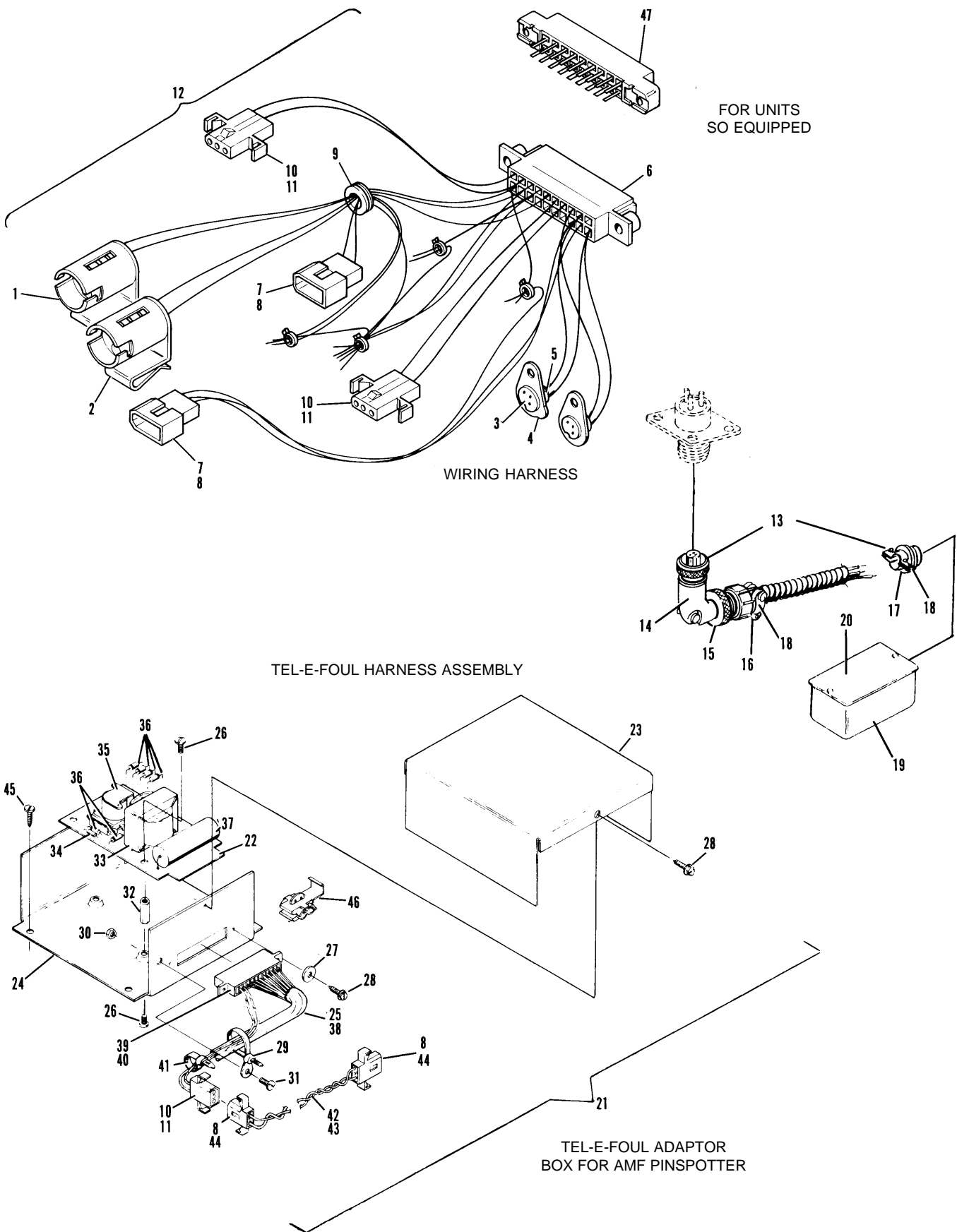
Tel-E-Foul Cover & Reflector Assemblies

Index No.	Part No.	Description
1.	53-600040-002	L.H. Socket Assembly
2.	53-600040-003	R.H. Socket Assembly
3.	53-600060-000	Photocell Mount
4.	53-600067-000	Photocell Bracket
5.	53-600059-000	Photocell
6.	11-696805-000	Connector
7.	11-680101-000	Connector Plug (3 Contacts)
8.	11-680307-000	Terminal
9.	11-651019-000	Grommet
10.	11-680301-000	Terminal
11.	11-680203-000	Receptacle (3 Contacts)
*12.	53-600141-000	Tel-E-Foul Harness - Complete
13.	53-600149-000	Wire Harness Assembly (45")
	N.A.	Wire Harness Assembly (105")
14.	11-678904-000	Connector Plug (90°)
15.	32-201654-000	Adapter
16.	11-605128-000	Cable Clamp
17.	11-602104-000	Cord Grip
18.	11-403501-000	Anti-Short Bushing
19.	11-686001-000	Outlet Box
20.	N.A.	Outlet Box Cover
21.	N.A.	Adapter Box Assembly - Complete
22.	N.A.	PCB Assembly
23.	N.A.	Cover
24.	N.A.	Box
25.	N.A.	Harness Assembly - Complete
26.	11-013056-001	Sltd. Pan Hd. Machine Screw (8-32 x 1/4")
27.	11-190004-001	Plain Washer (#8)
28.	N.A.	Self Tapping Hex Hd. Washer Screw (#8 x 3/8")
29.	11-603109-000	Cable Tie
30.	11-176006-001	Keps Nut (10-24)
31.	11-013078-001	Sltd. Pan Hd. Machine Screw (10-24 x 1/2")
32.	N.A.	Standoff
33.	53-600128-000	Transformer
34.	N.A.	Resistor
35.	N.A.	Relay
36.	11-693004-000	Diode
37.	11-696109-000	Capacitor
38.	N.A.	Cable Assembly w/o Connectors
39.	11-680303-000	Terminal
40.	11-680251-000	Edge Connector (12 Contacts)
41.	11-603108-000	Cable Tie
42.	N.A.	R.H. Adapter Cable - white (80')
43.	N.A.	L.H. Adapter Cable - Black (80')
44.	11-680103-000	Connector Plug (3 Contacts)
45.	N.A.	Self Tapping Hex Hd. Washer Screw (#8 x 1")
46.	N.A.	Tap Splice
47.	53-600058-000	Connector (for units so equipped)

N.A. = No Longer Available

* 53-600141-000 consists of Index No. 1 thru 12 assembled complete.

Tel-E-Foul Harness & AMF Adapter Box



Tel-E-Foul Harness & AMF Adapter Box

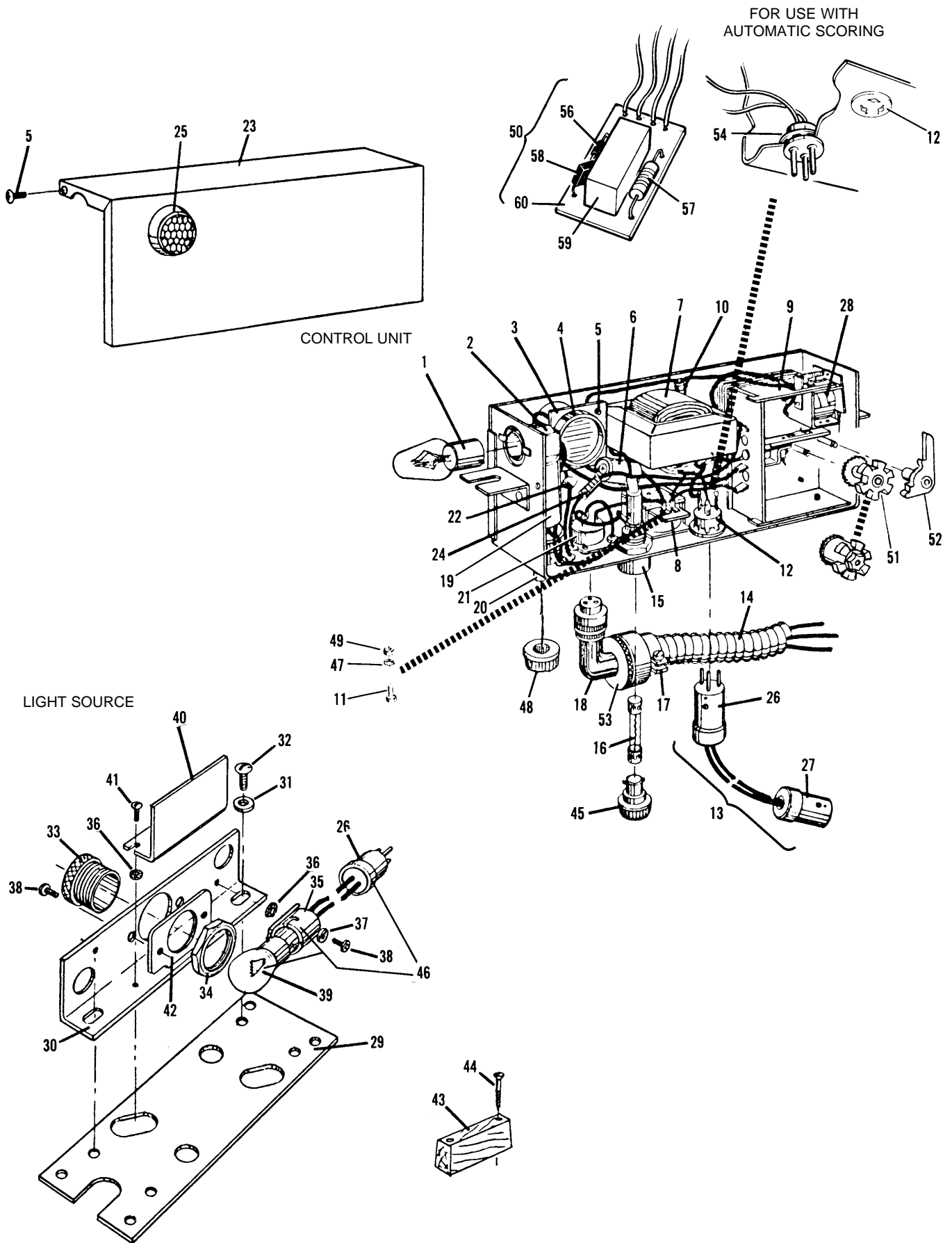
Index No.	Part No.	Description	Index No.	Part No.	Description
1.	N.A.	Lamp (10W 115V)	37.	11-190004-001	Plain Washer (#8)
2.	N.A.	Lamp Socket Assembly	38.	N.A.	C.R. Rd. Hd. Machine Screw (8-32 x 1/4")
3.	N.A.	Bracket (Photocell)	39.	15-609567-000	Lamp (Special 6 Volt)
4.	N.A.	Photocell	40.	N.A.	Divider
5.	15-614058-000	Self Tapping C.R. B. Hd. Screw (#6 x 5/16")	41.	N.A.	Self Tapping Sltd. B. Hd. Screw (#8 x 3/8")
6.	11-696159-000	Capacitor	42.	N.A.	Adjusting Plate
7.	N.A.	Transformer	43.	N.A.	Fill Block
8.	N.A.	Buzzer	44.	N.A.	Flat Hd. Wood Screw (#10 x 1-3/4")
9.	N.A.	Timing Unit - Complete	45.	N.A.	Fuse Cap
10.	11-609502-000	Wire Connector	46.	N.A.	Lamp/Socket/Connector Assembly
11.	11-018003-001	Rd. Hd. Machine Screw (4-40 x 5/16")	47.	11-199000-001	Internal Tooth Lock-washer (#4)
12.	N.A.	Socket	48.	32-014500-000	Plastic Knob
13.	N.A.	Light Source Lead Assy. (84")	49.	11-125000-001	Hex Nut (4-40)
14.	N.A.	Cable Assembly w/o Connectors (45")	50.	N.A.	Circuit Board Assembly (Index Nos. 55 thru 60)
15.	11-685127-000	Fuseholder	51.	N.A.	Timing Cam - thru Serial #6941 (Ten Pin)
16.	N.A.	Fuse (1 Amp)		N.A.	Timing Cam - Serial #6942 and Up (Ten Pin)
17.	11-605128-000	Cable Clamp			Note: Assemble with Latch 53-600018-000
18.	11-678904-000	Connector Plug (90°)			Timing Cam (Duck and Candle)
19.	N.A.	Capacitor			Latch Assembly - thru Serial #6941
20.	N.A.	Potentiometer			Latch Assembly - Serial #6942 and Up
21.	11-678903-000	Receptacle (3 Contacts)	52.	N.A.	Adaptor
22.	11-693001-000	Silicon Diode	53.	32-201654-000	Plug
23.	N.A.	Control Unit Cover	54.	N.A.	Insulating Sleeve (Plastic Cover of Index No. 50)
24.	15-609641-000	Resistor	55.	N.A.	Diode
25.	N.A.	Ambient Light Grid Assy.	56.	11-693008-000	Resistor
26.	N.A.	Connector (Male)	57.	11-691125-000	Capacitor
27.	N.A.	Connector (Female)	58.	11-696309-000	Relay
28.	N.A.	Solenoid	59.	17-860325-000	Circuit Board Only
29.	N.A.	Base Mounting Plate	60.	N.A.	
30.	N.A.	Angle Bracket			
31.	11-190006-001	Plain Washer (#10)			
32.	11-013076-001	Sltd. Rd. Hd. Machine Screw (10-24 x 3/8")			
33.	32-200314-000	Lens and Case Assembly			
34.	32-200317-000	Special Hex Nut (1-20)			
35.	32-201558-000	Lamp Socket Assy. w/Wires			
36.	N.A.	Lockwasher (#8)			

N.A. = No Longer Available

* Not Illustrated

NOTE: The Tel-E-Foul "Exchange Unit" is no longer available for sale. You can, however, have your inoperative unit repaired by Brunswick on a "time plus material" cost basis. For information regarding this program, please contact the regional office for your area. Your unit must be shipped freight prepaid to that office.

Tel-E-Foul Control Unit & Light Source



Tel-E-Foul Control Unit & Light Source

Index No.	Part No.	Description	Index No.	Part No.	Description
1.	N.A.	Top Cover	****11-685015-000		Fuse (AGC-3/8)
2.	11-651019-000	Grommet	****N.A.		Fuse (AGC-3/16)
3.	11-012270-001	C.R. Pan Hd. Machine	35.	11-619003-000	Terminal Strip
		Screw (6-32 x 1/4")	36.	53-600056-000	Fuseholder Assembly
4.	11-195006-000	Lockwasher (#6)	37.	11-012272-001	C.R. Pan Hd. Machine
5.	53-600063-000	Mirror			Screw (6-32 x 3/8")
6.	53-600062-000	Mirror Seal	38.	53-600059-000	Photocell
7.	*N.A.	Masking Tape (1")	39.	53-600060-000	Photocell Mount
8.	N.A.	Housing Block	40.	53-600067-000	Photocell Bracket
9.	53-600037-000	Adjusting Seal	41.	53-860215-000	Circuit Board - Complete
10.	53-600033-000	Cover Plate	42.	11-692503-000	Wire Bound Resistor
11.	11-675514-002	Lamp (#1876)	42A.	N.A.	Resistor
12.	53-600105-000	Compression Spring	43.	53-600094-000	Lens Mask
13.	53-600096-000	Socket Assembly w/o Wires	44.	11-195008-001	Lockwasher (#8)
14.	11-012277-001	C.R. Pan Hd. Machine	45.	11-012307-001	C.R. Pan Hd. Machine
		Screw (6-32 x 3/4")			Screw (8-32 x 5/16")
15.	11-675513-000	Lamp (#90 Clear)	46.	53-600097-000	Socket and Connector Assy.
16.	53-600040-002	L.H. Socket Assy. w/Wires	47.	11-680201-000	Receptacle (3 Contacts)
17.	53-600040-003	R.H. Socket Assy. w/Wires	48.	11-603108-000	Cable Tie
18.	53-600029-000	Chassis Assembly	49.	N.A.	Wire w/Pin - White/Gray (6")
19.	53-600047-000	Lens Assembly		N.A.	Wire w/Pin - White/Blue (6")
20.	11-190002-001	Plain Washer (#6)	50.	11-680301-000	Terminal Pin
21.	11-012271-001	C.R. Pan Hd. Machine	51.	53-600093-000	Shorting Plug Assembly
		Screw (6-32 x 5/16")	52.	N.A.	Wire w/Pin - White/Gray (2-3/4")
22.	11-107006-000	Slt'd. Rd. Hd. Machine	53.	N.A.	Tel-E-Foul - Complete (115 Volt
		Screw (4-40 x 1/2")			50/60 Hz)
23.	53-600058-000	Connector (for Units		53-860806-003	Tel-E-Foul - Complete (230 Volt
		So Equipped)			50/60 Hz)
24.	11-190000-001	Plain Washer (#4)		N.A.	Tel-E-Foul - Complete (115 Volt
25.	N.A.	Lockwasher (#4)			50/60 Hz Canada Only)
26.	11-125000-001	Hex Nut (4-40)	54.	11-198001-001	External Tooth Lockwasher (#6)
27.	11-125001-001	Hex Nut (6-32)	55.	53-600117-000	Transformer Assembly
28.	N.A.	Cover (Use Index #61,	56.	11-680207-000	Receptacle (6 Contacts)
		53-600155-002)	57.	11-017521-001	Sems Slt'd. Rd. Hd. Screw
29.	11-012281-001	C.R. Pan Hd. Machine			(6-32 x 5/16")
		Screw (6-32 x 1-1/4")	58.	53-600119-002	Plug Assembly (100 Volt)
30.	53-600055-000	Transformer (for Units		53-600119-003	Plug Assembly (115 Volt)
		So Equipped)		53-600119-004	Plug Assembly (200 Volt)
31.	53-600066-000	Buzzer		53-600119-005	Plug Assembly (230 Volt)
32.	11-012253-001	C.R. Pan Hd. Machine Screw	59.	11-680306-000	Terminal
		(4-40 x 5/16")	60.	53-600155-002	Cover
33.	11-678903-000	Receptacle (3 Contacts)	61.	11-696805-000	Connector
34.	****11-685012-000	Fuse (AGC-1/2)			
	****11-685014-000	Fuse (AGC-1/4)			

N.A. = No Longer Available

* Purchase Locally

** Not Illustrated

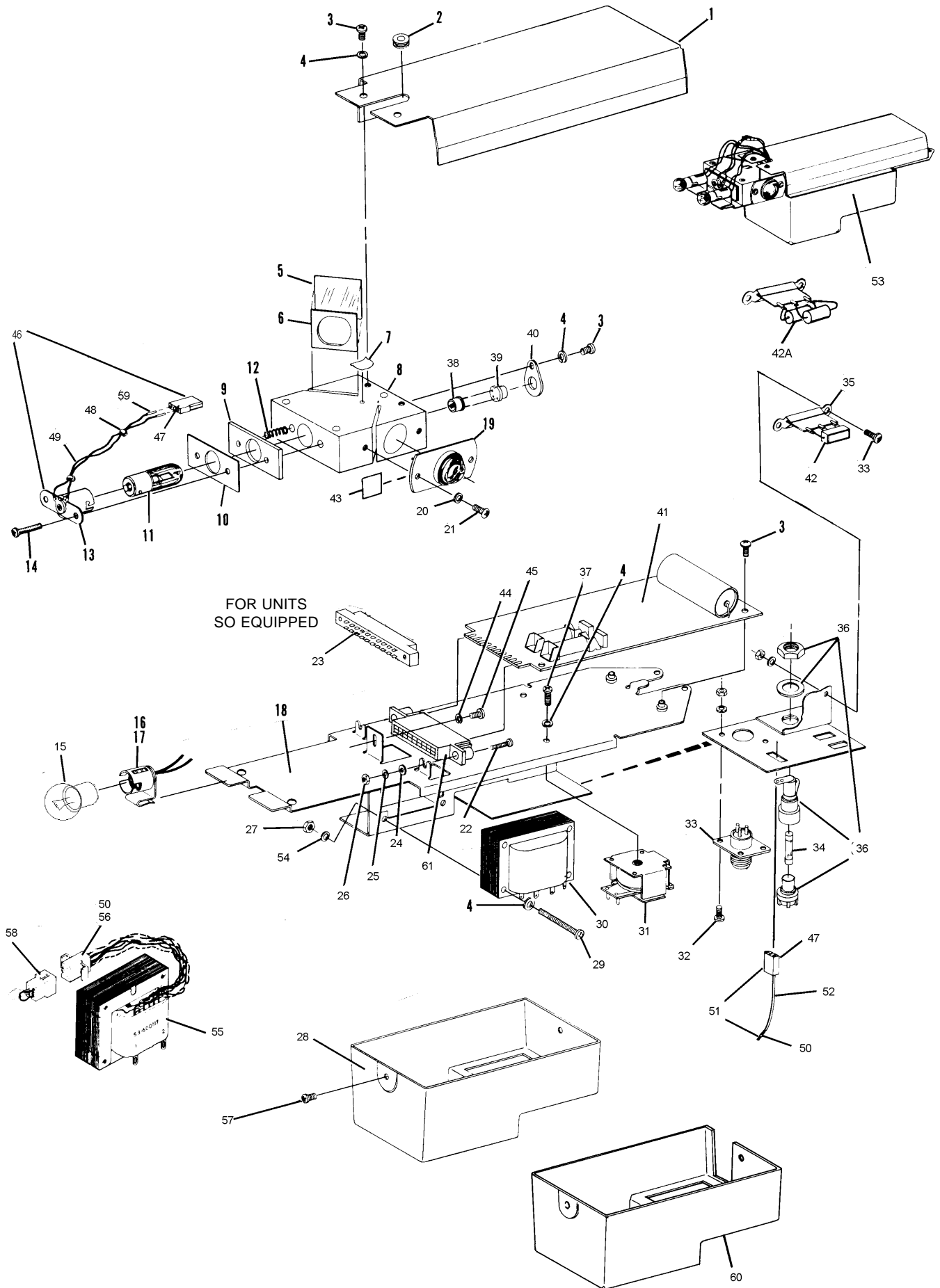
*** Used on Tel-E-Foul 53-860806-002 and 53-860806-003

**** Used on Tel-E-Foul 53-600025-000

NOTE: Rebuilt circuit board assemblies are available on a direct exchange basis. Your defective circuit board assembly should be packaged and a copy of Brunswick Order Form (900.6) included to identify your center and shipped to:

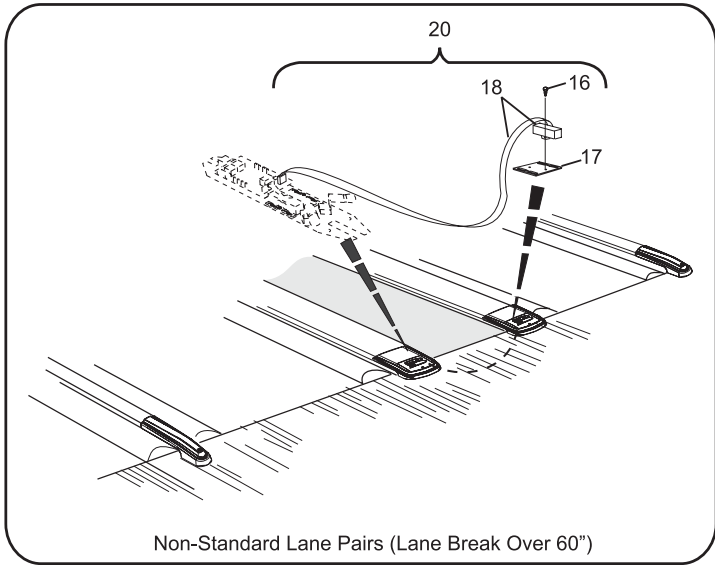
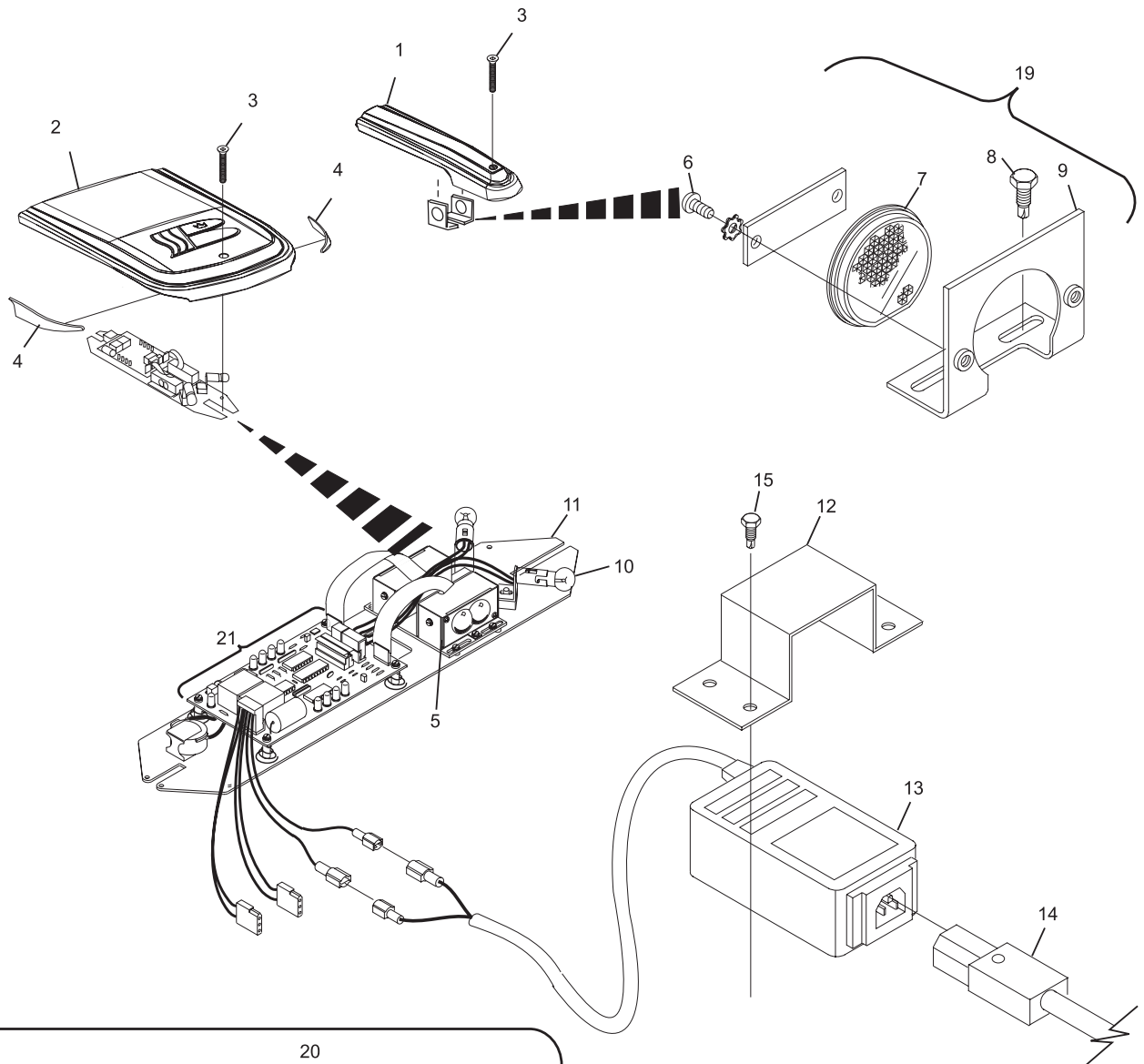
Brunswick Corporation
Electronic Repair Center
525 West Laketon Avenue
Muskegon, MI 49443

"2000" Tel-E-Foul Control Unit



"2000" Tel-E-Foul Control Unit

Index No.	Part No.	Description
1.	84-860551-000	Division (Tel-E-Foul) Cover
2.	84-860550-000	Package - Return (Tele-E-Foul) Cover - includes items Numbers 3, and 4
3.	11-040165-001	Flat Head Robertson Screw (#14-3-1/2")
4.	84-200249-000	Lens Cover Set (right-hand and left-hand)
5.	53-600177-003	Standard Sensor Assembly
6.	N.A.	Pan Head Screw (#6-32 x 5/16")
7.	N.A.	Reflector
8.	N.A.	Drill Point Screw (#8 x 1-1/4")
9.	N.A.	Reflector to Division Mounting Bracket
10.	11-675513-000	Lamp, 12 Volt
11.	53-861068-000	Tel-E-Foul Assembly
12.	N.A.	Transformer Mounting Bracket
13.	53-860326-230	Tele-E-Foul Transformer - 230VAC, 50 Hz
	53-860327-115	Tele-E-Foul Transformer - 115VAC, 60 Hz
	53-860326-100	Tele-E-Foul Transformer - 100VAC, 50 Hz
14.	53-860326-001	Power Cord
15.	N.A.	Drill Point Screw (#8 x 3/4")
16.	N.A.	Drill Point Screw (#6-32 x 1-1/4")
17.	53-600177-002	Sensor Mounting Plate
18.	53-861069-002	Remote Sensor Cable Assembly (120")
19.	53-860299-000	Reflector and Bracket Assembly
20.	53-861069-000	Remote Sensor Kit (includes items numbers 16, 17, and 18)
21.	53-600179-001	Tel-E-Foul PCB



Frameworx Tel-E-Foul