

Section A

**SYNTHETIC LANES
&
PINDECKS**

Index No.	Part No.	Description
1.	N.A.	Integral Pine/Pin Deck Assembly
2.	*N.A.	Pine Panel
	**N.A.	Pine Panel
3.	N.A.	Head and Pine Panel
4.	N.A.	Division Tel-E-Foul Mount
5.	*N.A.	Division Fill Panel
	**N.A.	Division Fill Panel
6.	N.A.	Foul Line and Approach Panel
7.	N.A.	Short Door
	**N.A.	Short Door
8.	*84-200026-000	Long Door
	N.A.	Long Door
9.	*N.A.	Ball Return Fill Panel (with Door)
	**N.A.	Ball Return Fill Panel (with Door)
10.	84-200133-000	Return Tel-E-Foul Mount
11.	N.A.	ABC Plug (Pine)
12.	****N.A.	Squash Plug .697 Dia.
	****N.A.	Squash Plug .702 Dia.
13.	84-860427-000	Maple Plug .692 Dia. (Qty. 84)
	84-860428-000	Maple Plug .697 Dia. (Qty. 42)
	84-860429-000	Maple Plug .702 Dia. (Qty. 5)
14.	84-860431-000	Pine Plug .697 Dia. (Qty. 23)
	84-860432-000	Pine Plug .702 Dia. (Qty. 5)
15.	11-081203-000	Robertson Hd. Screw
16.	N.A.	C. R. Wood Screw (#14 x 3-1/2")
17.	84-860406-000	Oversize Plug .875 Dia. (Qty. 5 each of Maple, Pine and Squash)
18.	N.A.	ABC Plug (Maple)
19.	***11-676678-000	Paneling Adhesive (1 Qt. Tube)
20.	N.A.	Short Pine Section
21.	N.A.	M/O Pin Deck
22.	84-200046-000	Tail Plank
23.	N.A.	Maple Plug .875 Dia. (Qty. 5)
24.	84-860391-002	Maple Plug .687 Dia. (Qty. 70)
25.	N.A.	Pine Plug .687 Dia. (Qty. 50)
26.	N.A.	Pine Plug .875 Dia. (Qty. 5)
27.	****N.A.	Squash Plug .687 Dia.
28.	***N.A.	Squash Plug .875 Dia. (Qty. 5)
29.	***N.A.	Router Guide

LAMINATE PATCHES - (Not Illustrated) For use on Armor Plate replacement and new lanes
- not for Anvilane

30.	***84-860393-000	Maple Patch 2-3/16" x 7-3/4" (Qty. 7)
31.	***84-860394-000	Pine Patch 2-3/16" x 7-3/4" (Qty. 7)
32.	***84-860395-000	Maple Patch 1-1/4" x 7-3/4" (Qty. 7)
33.	***84-860396-000	Pine Patch 1-1/4" x 7-3/4" (Qty. 7)
34.	***84-860397-000	Pine Patch 3-1/2" Dia. (Qty. 7)
35.	***84-860398-000	Maple Patch 3-1/2" Dia. (Qty. 7)
36.	***84-860399-000	Maple Patch 12" x 12" (Qty. 2)
37.	***84-860400-000	Pine Patch 12" x 12" (Qty. 2)
38.	52-100464-000	Counterbore Drilling Fixture
	***52-100465-000	Counterbore Drill Bit
39.	***52-860270-000	Pkg. Router Template and Router Guide
40.	84-200084-010	Side Moulding for Integral Pin Deck (48" x 1 3/8")
41.	84-200083-010	Rear Molding for Integral Pin Deck (40-3/8" x 1 3/8")
42.	11-084610-001	Flat Hd. C. R. Tap Screw (1/4 x 1-3/4")
43.	11-081202-000	Robinson Hd. Wood Screw (#14 x 3-1/2")
44.	N.A.	#2 Robinson Driver Bit
45.	***11-700078-000	#3 Robinson Driver Bit

N.A. = No Longer Available

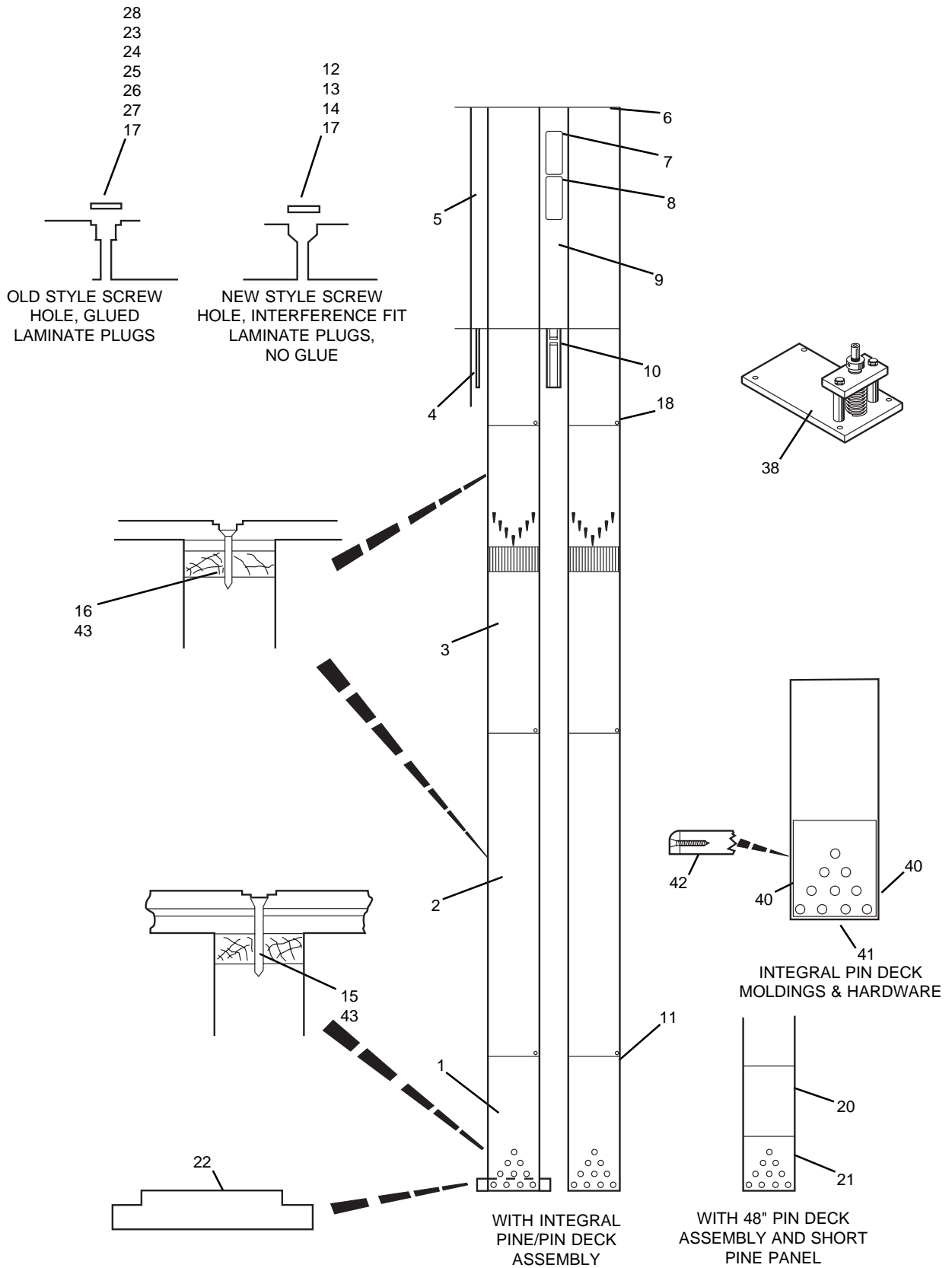
* For installations 1988 and after.

** For installations prior to 1988.

*** Not illustrated.

**** Squash Plug not available use appropriate size Pine Plug

Armor Plate Lanes - Laminate Plugs and Patch Kits

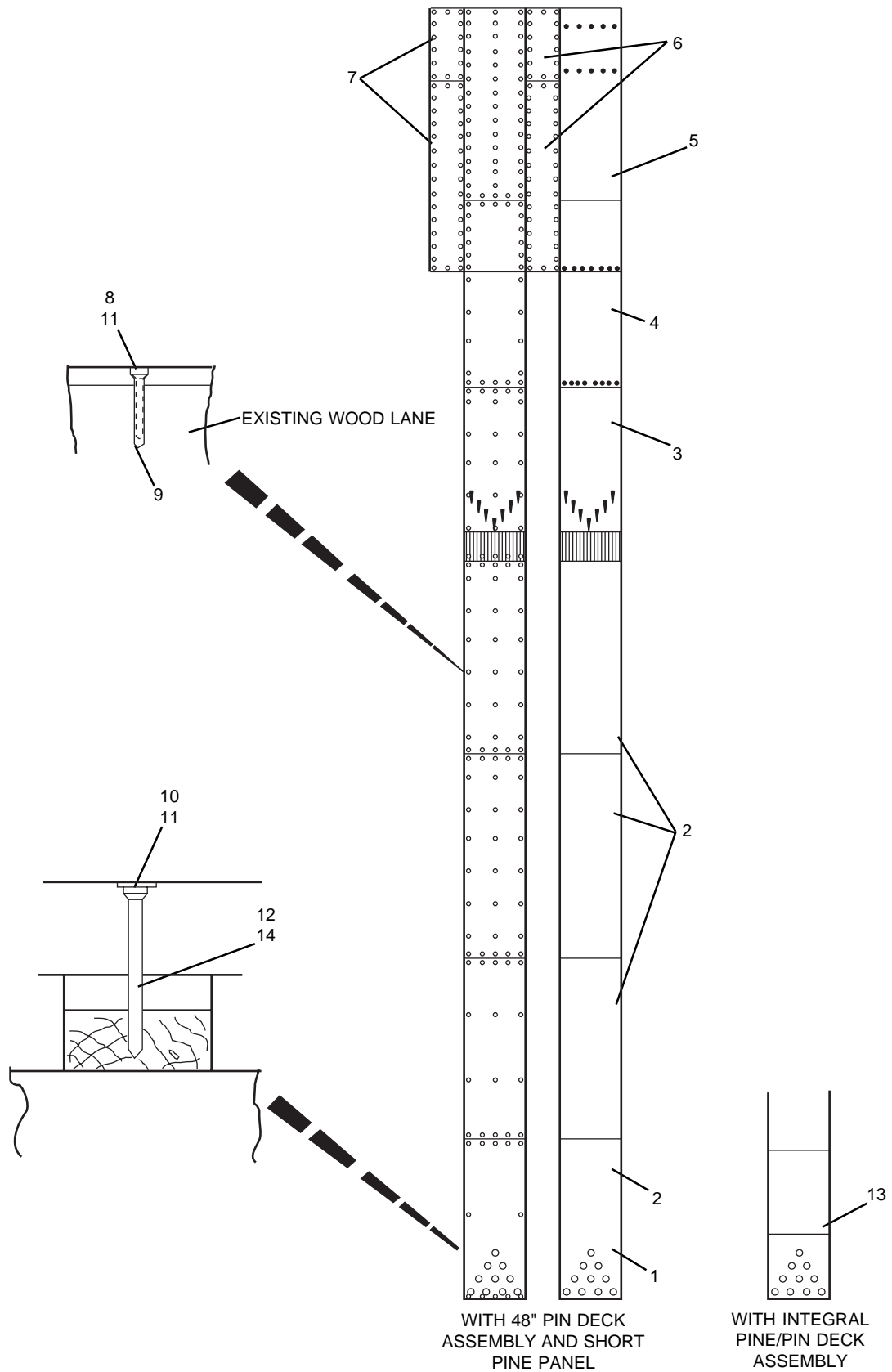


Armor Plate Lanes - Laminate Plugs and Patch Kits

Index No.	Part No.	Description
1.	N.A.	M/O Pin Deck
	84-860510-000	M/O Pin Deck
	84-860505-000	Pin Grabber Pin Deck
2.	84-200040-000	Pine Laminate
3.	84-200272-000	Head Laminate - Plate Finish (7/16')
4.	84-200262-000	Foul Line Laminate - Plate Finish (7/16")
5.	84-200043-000	Approach Laminate
6.	84-200097-000	Return Laminate
7.	84-200096-000	Division Laminate
8.	84-860420-000	Maple Laminate Plug - Pkg. of 60 (.445" Dia.)
	84-860421-000	Maple Laminate Plug - Pkg. of 60 (.450" Dia.)
	84-860423-000	Pine Laminate Plug - Pkg. of 60 (.445" Dia.)
	84-860424-000	Pine Laminate Plug - Pkg. of 60 (.450" Dia.)
9.	11-081201-000	Robinson Flat Hd. Tapping Screw (#10 x 1-1/2")
10.	N.A.	Squash Plug - Pkg. of 15 (11/16)
11.	84-860406-000	Maple, Pine and Squash Oversize Plug - Pkg. of 5 Each (7/8)
12.	11-081203-000	Robertson Hd. Screw (#14 x 4")
13.	N.A.	Pin Deck and Pine Assembly (1.336" x 41.84" x 117.22")
14.	11-081202-000	Robinson Wood Screw (#14 x 3-1/2")
15.	*11-700077-000	#2 Robinson Driver Bit
16.	*11-700078-000	#3 Robinson Driver Bit

N.A. = No Longer Available

* Not Illustrated



Anvilane

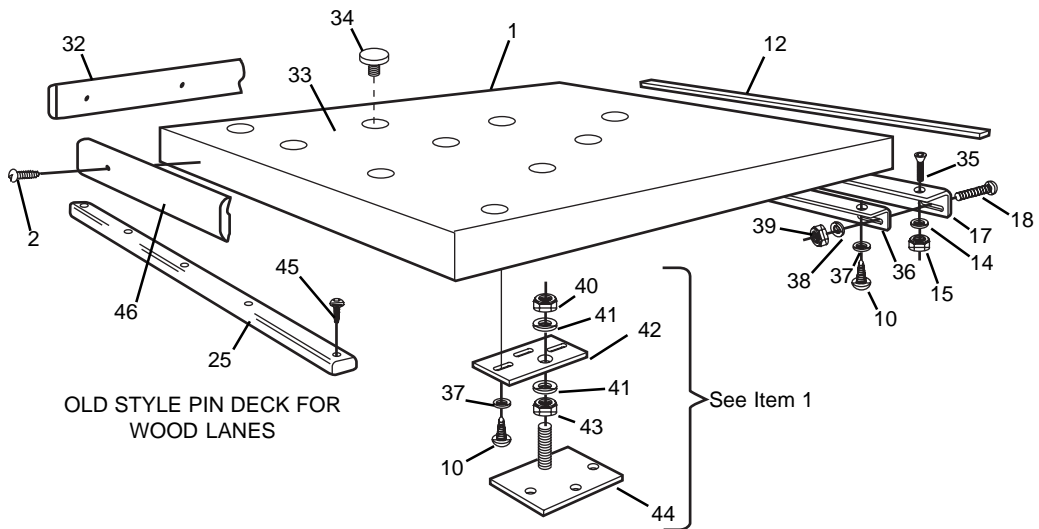
Index No.	Part No.	Description
1.	N.A. 52-860151-000	Pin Deck Assembly - Complete Foot Package - Complete (Contains 4 feet)
2.	11-084610-001	Self Tapping C. R. Flat Hd. Screw (#14 x 1-3/4")
3.	52-100243-001 52-100244-000	Side Edge Moulding (48" x 2-1/16") Rear Edge Moulding (40-3/4" x 2-1/16")
4.	52-100224-000	Adjusting Screw
5.	11-125213-001	Hex Jam Nut (5/8-18)
6.	11-195020-001	Lockwasher (5/8)
7.	52-100223-003	Foot (L. H. Thread)
8.	52-100222-000	Adjusting Screw and Foot Assembly - Complete
9.	52-100223-002	Adjusting Screw Foot (R. H. Thread)
10.	N.A.	Self Tapping C. R. Pan Hd. Screw (1/4 x 1-1/2")
11.	N.A.	Self Tapping Hex Hd. Washer Screw (5/16-18 x 1-1/4")
12.	52-100014-000	Spline
13.	N.A.	C. R. Flat Hd. Machine Screw (5/16-18 x 2-1/2")
14.	11-190012-001	Plain Washer (5/16)
15.	11-170009-001	Self Locking Nut (5/16-18)
16.	11-040227-001	C. R. Flat Hd. Wood Screw (#20 x 4")
17.	N.A.	Bed Angle Bracket
18.	11-071061-001	Carriage Bolt (3/8-16 x 3-1/2")
19.	11-190014-001	Plain Washer (3/8)
20.	11-170011-001	Self Locking Nut (3/8-16)
21.	52-100288-000	Pin Deck Angle Bracket
22.	N.A.	Self Tapping C. R. Pan Hd. Screw (1/4 x 1-1/2")
23.	N.A.	Self Tapping C. R. Flat Hd. Screw (#12 x 2")
24.	21-202156-000	Lower Pit Header Plank
25.	52-100009-000	Fill Block
26.	N.A.	Barrel Nut
27.	N.A.	Self Tapping Hex Hd. Washer Screw (5/16-18 x 1")
28.	N.A.	Splice Plate
29.	N.A.	Hex Hd. Cap Screw (1/4-20 x 6")
30.	11-190530-001	Plain Washer
31.	N.A.	Filler Panel
32.	*52-100078-000	Phenolic Strip - Side (48" x 2-3/4")
33.	N.A.	Phenolic Sheet - Top
34.	**52-100091-000 52-100087-000	Stop Pin Paper Shim (order separate if needed)
35.	N.A.	Std. Flat Hd. Machine Screw (5/16-18 x 2-1/2")
36.	N.A.	Deck Angle Bracket
37.	11-190010-001	Plain Washer (1/4)
38.	11-195016-001	Lockwasher (3/8)
39.	11-125011-001	Hex Nut (3/8-16)
40.	11-125112-001	Hex Nut (5/8-11)
41.	11-190022-001	Plain Washer (5/8)
42.	N.A.	Upper Support Plate
43.	11-125212-000	Hex Jam Nut (5/8-11)
44.	N.A.	Lower Support Plate
45.	N.A.	Std. Flat Hd. Wood Screw (#12 x 2")
46.	*52-100079-000	Rear Phenolic Strip - Back (40" x 2-3/4")

N.A. = No Longer Available

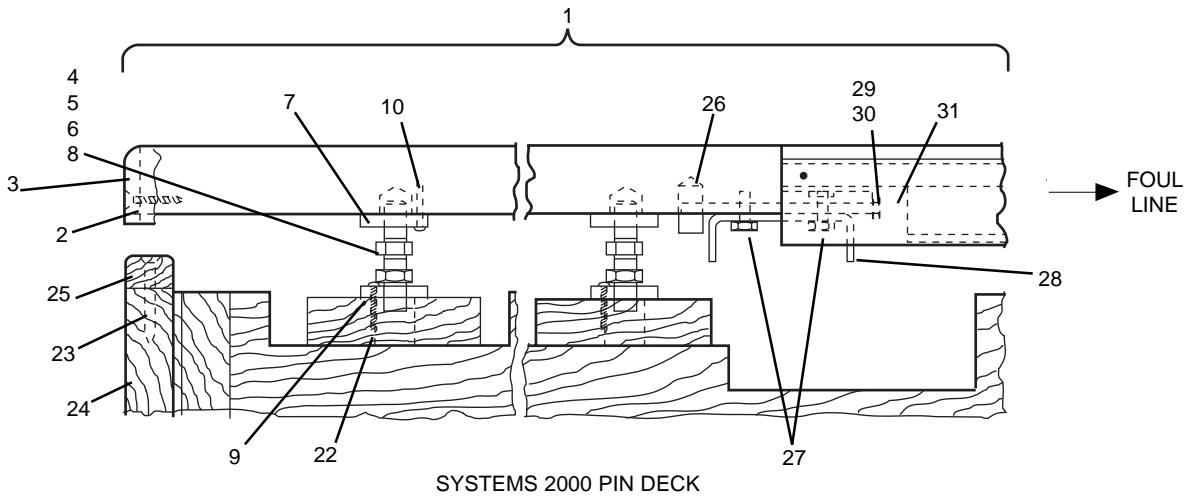
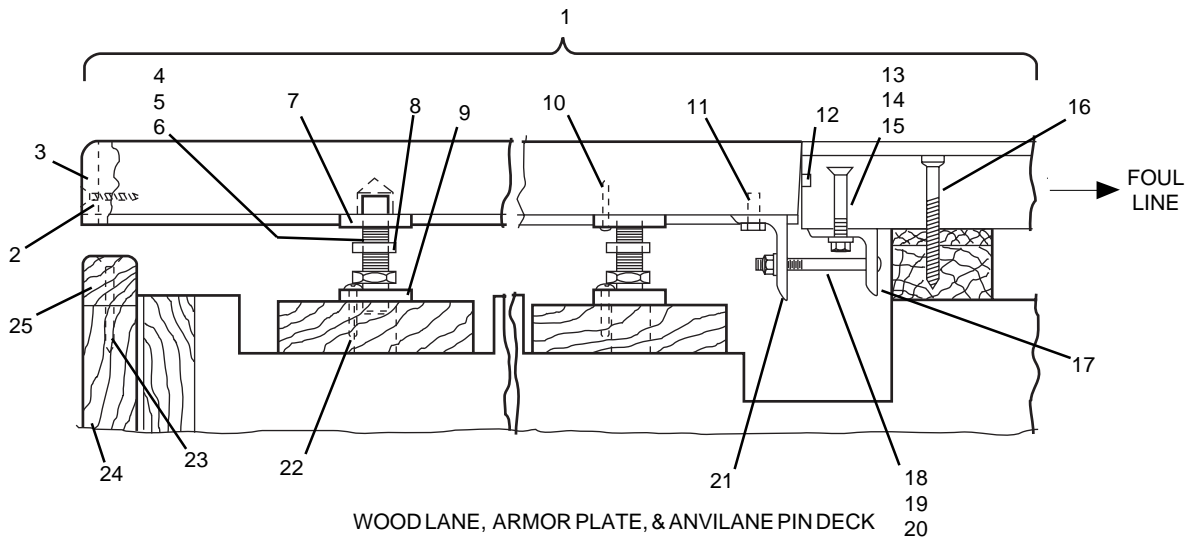
* Use 12-860612-000 Epoxy Kit to attach Phenolic Strips and Face Sheet to Pin Deck.

** For Armor Plate Pin Decks so equipped. For replacement of worn original pin spots, contact your local Brunswick Service Representative.

Old Style Pin Deck Assemblies For Lanes So Equipped



OLD STYLE PIN DECK FOR WOOD LANES



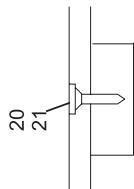
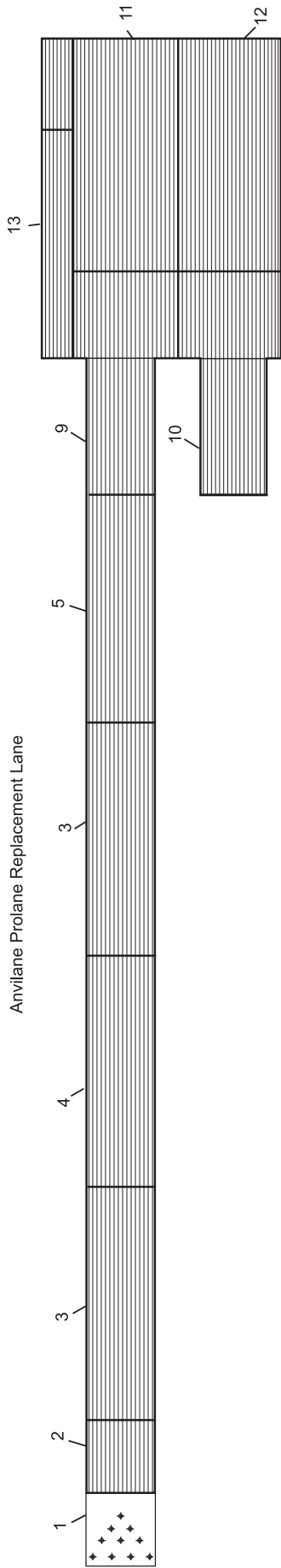
**Old Style Pin Deck Assemblies
For Lanes So Equipped**

Index

No.	Part No.	Description
1.	84-860510-000	Pin Deck
2.	84-200398-999	Short Laminate Panel
3.	84-200396-999	Lane Laminate Panel
4.	84-200397-999	Lane Laminate Panel (with characters)
5.	84-200395-999	Head Laminate Panel
6.	N.A.	Head Laminate Panel (head only)
7.	84-200403-999	Foul Line Laminate Panel (head only)
8.	84-200401-999	Foul Line Laminate (lane only)
9.	84-200393-999	Foul Line Laminate Panel - left-hand (replacement lane)
10.	84-200392-999	Foul Line Laminate Panel - right-hand (replacement lane)
11.	84-200391-999	Approach Laminate Panel - left-hand
12.	84-200390-999	Approach Laminate Panel - right-hand
13.	84-200394-999	Ball Return Fill Laminate Panel (Replacement Lane)
14.	*84-860541-900	Laminate Plugs (.439 Dia.) - Package of 60
15.	*84-860542-900	Laminate Plugs (.444 Dia.) - Package of 60
	*84-860566-999	Laminate Plugs (.444 Dia.) - Package of 500
	*84-860568-999	Laminate Plugs (.444 Dia.) - Package of 50
16.	*84-860543-900	Laminate Plugs (.449 Dia.) - Package of 60
17.	*11-700077-000	Driver Bit, Robertson #2
18.	*11-700078-000	Driver Bit, Robertson #3
19.	*84-200365-000	Foul Line (urethane)
20.	11-081204-000	Robertson Screw (#10 x 2-1/2")
21.	11-081203-000	Robertson Screw (#14- x 4")

* = Not Illustrated

N.A. = No Longer Available



Anvilane Prolane

