

**Section L**

**POWER LIFT HOODS**

Index No.	Part No.	Description
1.	11-001262-001	Hex Hd. Cap Screw (5/16-18 x 3/4")
2.	11-170009-001	Self Locking Nut (5/16-18 x 3/4")
3.	11-534514-000	Retaining Ring
4.	11-440010-000	Nylon Bearing
5.	N.A.	Switch Actuator Assembly
6.	N.A.	Support Bracket
7.	11-013012-000	Slt'd. Pan Hd. Machine Screw(4-40 x 1-1/8")
8.	11-199000-001	Internal Tooth Lockwasher (#4)
9.	17-200185-000	Spring
10.	11-616016-000	Switch
11.	N.A.	Spacer
12.	10-616051-000	Nut Plate (4-40)
13.	11-693018-000	LED
14.	N.A.	Pinfall Display PCB - Complete (See Note)
15.	N.A.	Push Button Switch
16.	11-014032-009	C.R. Flat Hd. Machine Screw (6-32 x 1-1/4")
17.	10-386115-000	Spacer
18.	53-100417-000	Glass Face (for Units w/Reset Switch)
	53-100417-020	Glass Face (for Units w/o Reset Switch)
	53-100488-000	Glass Face (for Non-Pinfinder)
19.	N.A.	Face Panel Only
20.	11-135501-000	Well Nut (6-32)
21.	10-616058-000	Nut Plate (8-32)
22.	N.A.	Latch
23.	11-190539-001	Plain Washer
24.	11-024127-001	C.R. T. Hd. Machine Screw (8-32 x 1/2")
25.	N.A.	Exit Switch Assembly - Complete
26.	11-042606-001	C.R. R. Hd. Wood Screw (#14 x 1")
27.	11-006256-000	B. Socket Hd. Wood Screw (5/16-18 x 3/8")
28.	N.A.	Hood and Base Assembly (One Piece)
29.	11-131007-001	Self Threading Nut (1/4-20)
30.	53-100440-000	Name Plate - "Brunswick"
31.	53-100491-000	Hood and Base Assembly - Complete
32.	N.A.	C.R. Flat Hd. Wood Screw (#6 x 1/2")
33.	N.A.	Hood Extrusion
34.	53-100455-000	Hood Guide
35.	N.A.	Hood Base Support
36.	11-081017-001	Self Tapping Hex Hd. Washer Screw (#10 x 5/8")
37.	53-860708-000	Pinfall Display PCB - Complete (See Note)
38.	N.A.	Shim (As Required)
39.	N.A.	Universal Pinfinder PCB - Complete (See Note)
40.	N.A.	Butterfly Keyboard - Complete
41.	N.A.	Player Control PCB - Complete
42.	11-185276-000	Round Spacer
43.	11-192011-000	Nylon Washer
44.	11-125003-001	Hex Nut
45.	11-652052-000	Rubber Washer
46.	11-190004-001	Flat Washer
47.	11-176007-001	Keys Nut w/Lockwasher
48.	N.A.	Player Control Station - Complete

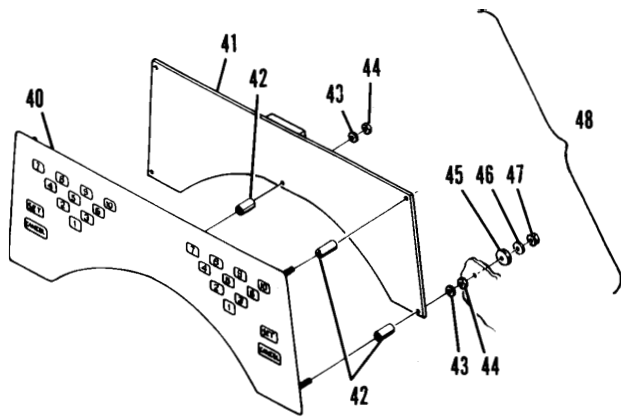
N.A. = No Longer Available

NOTE: Rebuilt PCB assemblies are available on a direct exchange basis. Your defective board assembly should be packaged and a copy of Brunswick Order Form (900.06) included to identify your center and shipped to:

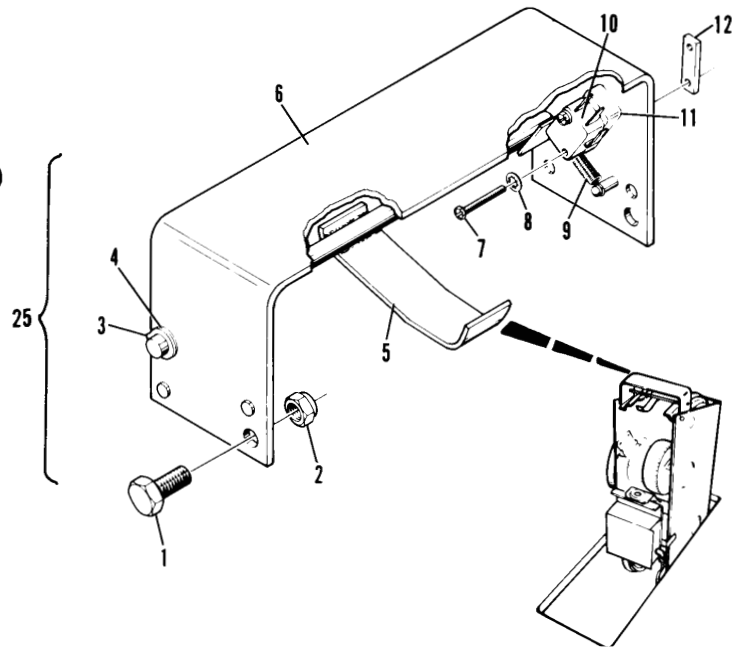
Brunswick Corporation  
525 W. Laketon Avenue  
Muskegon, MI 49443  
Attn: Electronic Repair Center

\*NOTE: Custom graphics available upon request. Allow 120 days for delivery.

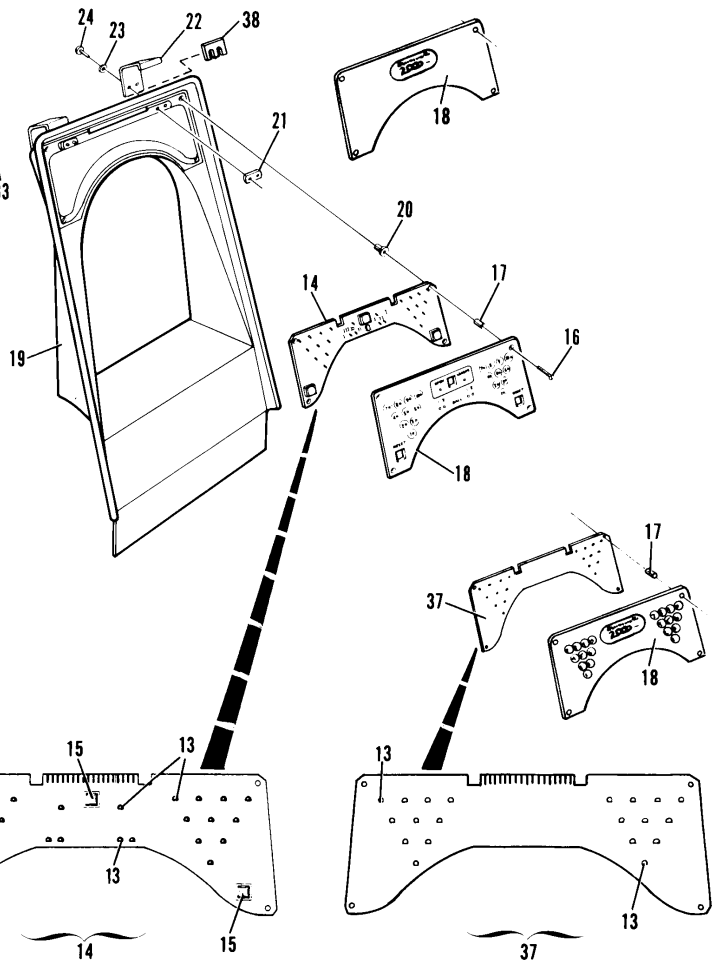
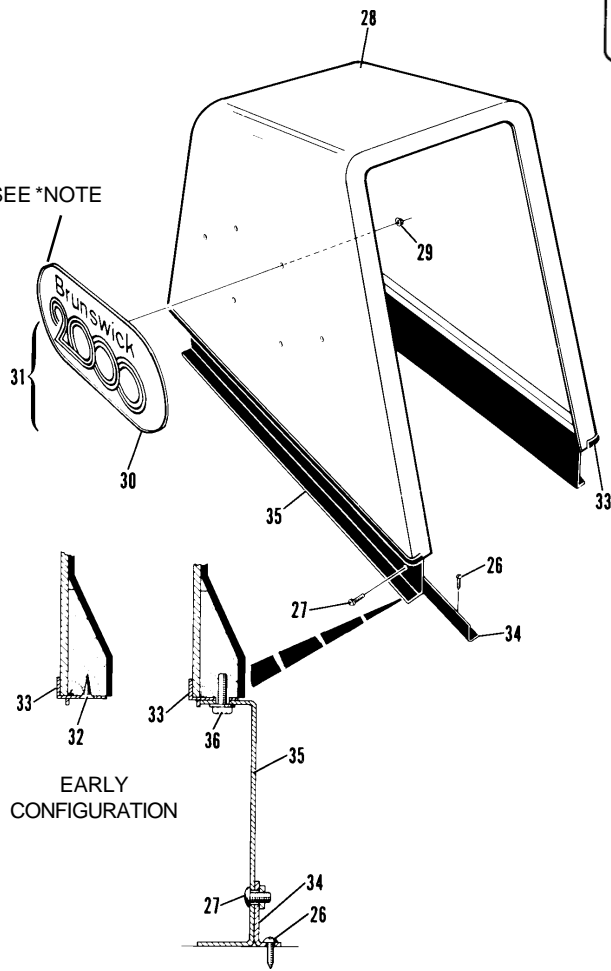
## "2000" Ball Lift Hood



PLAYER CONTROL STATION FOR GS-10 PINSETTER



SEE \*NOTE



"2000" Ball Lift Hood

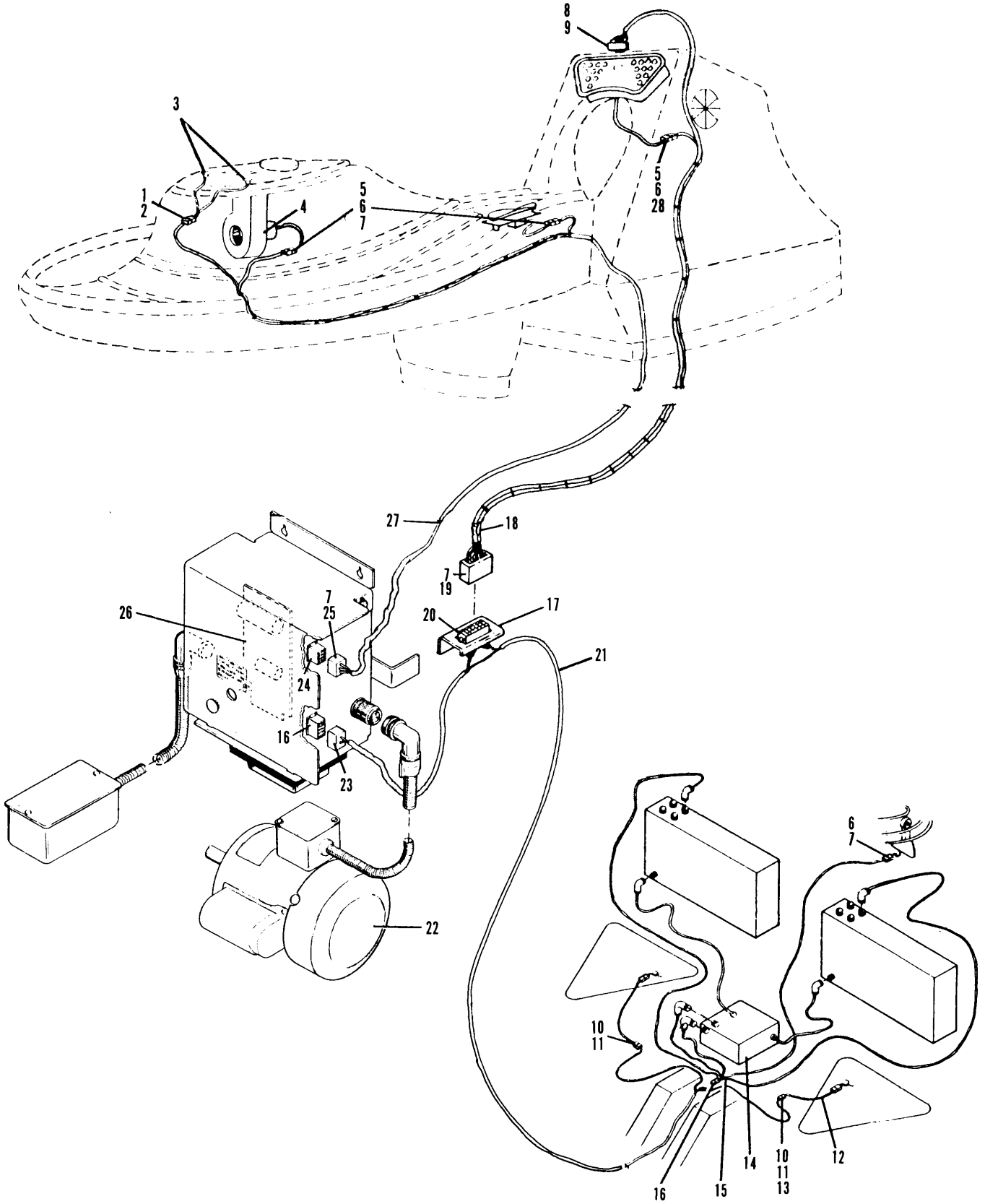
<b>Index No.</b>	<b>Part No.</b>	<b>Description</b>
1.	11-680105-000	Connector Plug (4 Contacts)
2.	11-680205-000	Receptacle (4 Contacts)
3.	11-615014-000	Reset Button
4.	N.A.	Blower Assembly (24 Volt)
5.	11-680101-000	Connector Plug (3 Contacts)
6.	11-680201-000	Receptacle (3 Contacts)
7.	11-680302-000	Terminal
8.	N.A.	Edge Connector (22 Contacts)
9.	11-680303-000	Terminal
10.	11-680003-000	Connector Plug (12 Contacts)
11.	11-612301-000	Contact
12.	12-750431-000	Deck Switch Cable Assembly (w/o Automatic Scorers)
	N.A.	Deck Switch Cable Assembly (w/ Automatic Scorers)
13.	11-680503-000	Connector (12 Contacts)
14.	12-502335-000	Control Box Assembly
15.	N.A.	Cable Assembly
16.	N.A.	Receptacle (15 Contacts)
17.	N.A.	Mounting Bracket
18.	N.A.	Cable Assembly
19.	N.A.	Connector Plug (36 Contacts)
20.	N.A.	Receptacle (36 Contacts)
21.	N.A.	Cable Assembly
22.	53-860322-010	Motor (1/4 H.P., 115/230 Volt, 50/60 Hz) - Subway Return
	11-860322-000	Motor (1/4 H.P., 115/230 Volt, 50/60 Hz) - Concealed Surface Return
23.	N.A.	Connector Plug (15 Contacts)
24.	N.A.	Receptacle (12 Contacts)
25.	11-680108-000	Connector Plug (12 Contacts)
26.	N.A.	PCB Assembly - Complete (See Note)
27.	N.A.	Cable Assembly - Orbital
	N.A.	Cable Assembly - Linear
28.	11-680301-000	Termina

N.A. = No Longer Available

NOTE: Rebuilt PCB assemblies are available on a direct exchange basis. Your defective board assembly should be packaged and a copy of Brunswick Order Form (900.06) included to identify your center and shipped to:

Brunswick Corporation  
525 W. Laketon Avenue  
Muskegon, MI 49443  
Attn: Electronic Repair Center

## Universal Voltage Ball Return System



**Universal Voltage Ball Return System**

Index No.	Part No.	Description
1.	N.A.	C. R. Pan Hd. Machine Screw (8-32 x 3/8")
2.	N.A.	Cover Glass
3.	N.A.	Bezel - Astroline Gray
	N.A.	Bezel - Astro 2 White
4.	N.A.	PCB Assembly - Complete (See Note)
5.	N.A.	Rubber Mount
6.	N.A.	Guard
7.	11-170004-001	Self Locking Nut (8-32)
*8.		Standard Pencil Eraser
9.	N.A.	Lamp #47
10.	N.A.	Lampholder
11.	11-680201-000	Receptacle (3 Contacts)
12.	11-680303-000	Terminal
13.	N.A.	Cable Assembly
14.	11-680003-000	Connector Plug (12 Circuits)
15.	11-612301-000	Contact
16.	N.A.	Connector - Blue
17.	N.A.	Contacts (for Blue Connector)
18.	N.A.	Spring Clip (for Blue Connector)
	N.A.	Spring Clip (for White Connector)
19.	N.A.	Cable Assembly (8")
20.	11-680101-000	Connector Plug (3 Contacts)
21.	11-680302-000	Terminal
22.	N.A.	Cable Assembly (144")
23.	11-680203-000	Receptacle (3 Contacts)
24.	11-680301-000	Terminal
25.	N.A.	Cable Assembly - Complete
26.	N.A.	Edge Connector (22 Contacts)
27.	N.A.	Connector Plug (36 Contacts)
28.	11-603108-000	Cable Tie
29.	N.A.	Std. Rd. Hd. Machine Screw (6-32 x 5/16")
30.	N.A.	Cable Assembly
31.	N.A.	R.H. Pinfinder Adapter Cable
	N.A.	L.H. Pinfinder Adapter Cable
32.	11-612253-000	Receptacle
33.	11-680503-000	Connector (12 Circuits)
34.	N.A.	Shell
35.	N.A.	Spring
36.	N.A.	Rivet
37.	N.A.	Transistor
38.	11-693004-000	Diode
39.	N.A.	Resistor
40.	11-691098-000	Resistor

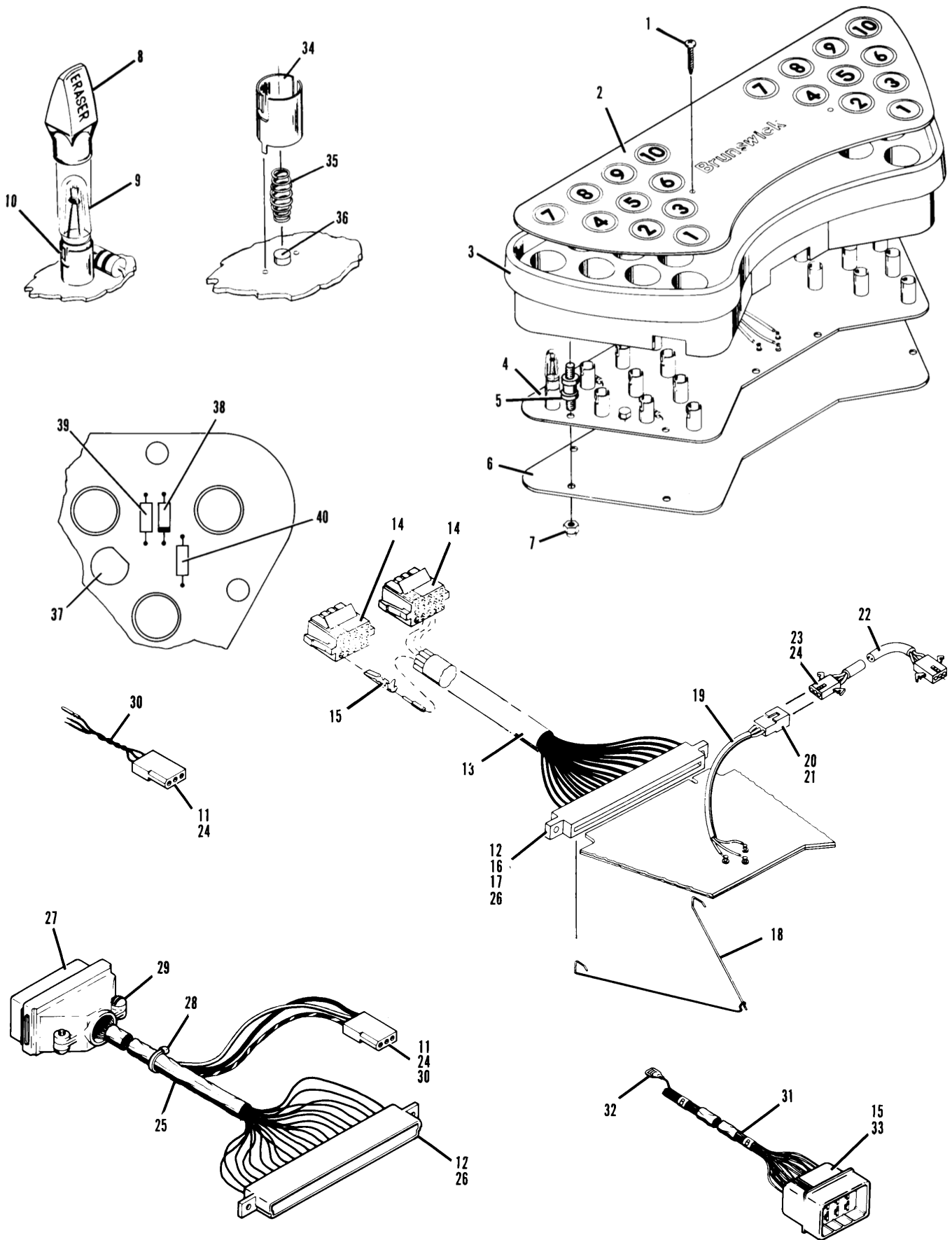
N.A. = No Longer Available

\* Use this item to change lamps. Purchase locally.

NOTE: Rebuilt PCB assemblies are available on a direct exchange basis. Your defective board assembly should be packaged and a copy of Brunswick Order Form (900.06) included to identify your center and shipped to:

Brunswick Corporation  
 525 W. Laketon Avenue  
 Muskegon, MI 49443  
 Attn: Electronic Repair Center

## Pinfall Display Assembly



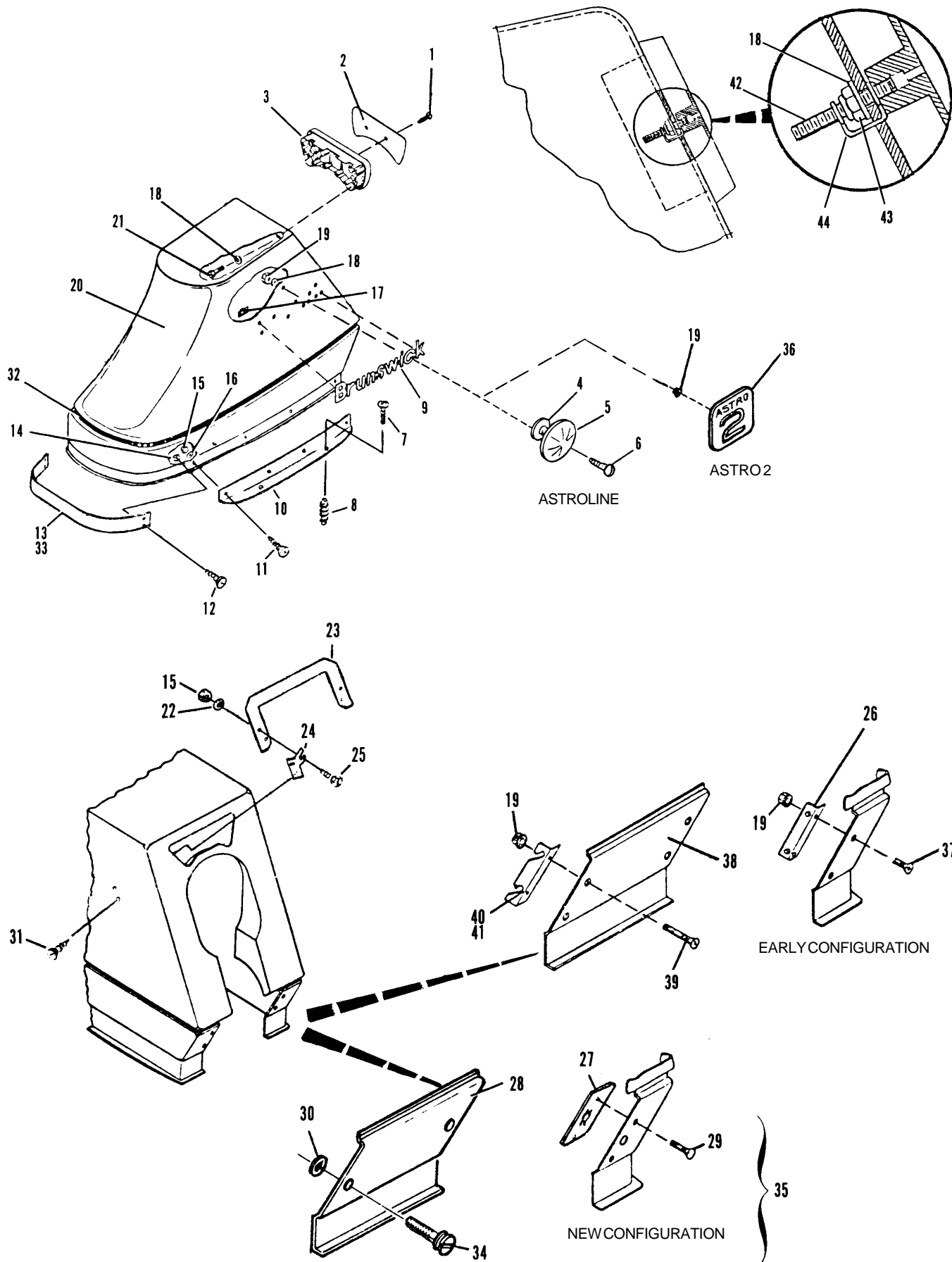
**Pinfall Display Assembly**

<b>Index No.</b>	<b>Part No.</b>	<b>Description</b>	<b>Index No.</b>	<b>Part No.</b>	<b>Description</b>
1.	N.A.	C. R. Pan Hd. Machine Screw (8-32 x 3/8")	23.	N.A.	Hood Stabilizer
2.	N.A.	Cover Glass	24.	N.A.	Mounting Bracket
3.	N.A.	Bezel - Astroline Gray	25.	11-001186-001	Hex Hd. Cap Screw (1/4-20 x 1-1/4")
4.	N.A.	Bezel - Astro 2 White	26.	N.A.	Hood Bracket
5.	53-520078-003	Shim	27.	N.A.	Receptacle
	N.A.	Blue Emblem	28.	N.A.	Door Assembly - Astroline Gray
	N.A.	Yellow Emblem		N.A.	Door Assembly - Astro 2 Brown
	N.A.	Orange Emblem	29.	N.A.	Pop Rivet (1/8)
	N.A.	Green Emblem	30.	N.A.	Retainer
6.	N.A.	Ribbed Neck Carriage Bolt (10-24 x 1-1/2")	31.	N.A.	Self Tapping C.R. Flat Hd. Screw (#6 x 1/2")
7.	N.A.	C.R. T. Hd. Machine Screw w/Nylok (5/16-18 x 3/4")	32.	N.A.	Black Plastic Tape (3/8") - Roll
8.	N.A.	Taplok Insert (5/16-18)		N.A.	Blue Plastic Tape (3/8") - Roll
9.	N.A.	Name Plate - Astroline Gray	33.	11-676027-000	Cement (Pint)
	N.A.	Name Plate - Astro 2 Blue	34.	11-676047-000	Cement (Gallon)
10.	N.A.	Mounting Bracket	35.	N.A.	Screw Fastener
11.	11-026289-011	C.R. Oval Hd. Machine Screw (1/4-20 x 1")	36.	N.A.	Door Modification Kit - Astroline Gray Only
12.	N.A.	C.R. T. Hd. Machine Screw (8-32 x 3/4")	37.	N.A.	Astro 2 Emblem
13.	N.A.	Base Moulding (Linear Feet)	38.	N.A.	C.R. Flat Hd. Machine Screw (10-24 x 3/4")
14.	11-170004-001	Self Locking Nut ( 8-32)	39.	11-014082-001	Fiberglass Door
15.	11-170007-001	Self Locking Nut ( 1/4-20)	40.	N.A.	C.R. Flat Hd. Machine Screw (10-24 x 3/8")
16.	11-190010-001	Plain Washer (1/4)	41.	N.A.	R.H. Door Bracket - Opposite
17.	N.A.	Push On Fastener	42.	N.A.	L.H. Door Bracket - Shown
18.	11-190006-001	Plain Washer (#10)	43.	N.A.	Set Screw (10-24 x 1-1/4")
19.	11-176006-001	Keps Nut (10-24)	44.	N.A.	Self Locking Nut - Thin (10-24)
20.	N.A.	Hood Only - Astroline Gray			Retainer Wire
21.	N.A.	Hood Only - Astro 2 White			
22.	11-190508-001	Hex Hd. Cap Screw (10-24 x 1/2")			
		Plain Washer			

N.A. = No Longer Available

## Subway Return Power Lift Hood



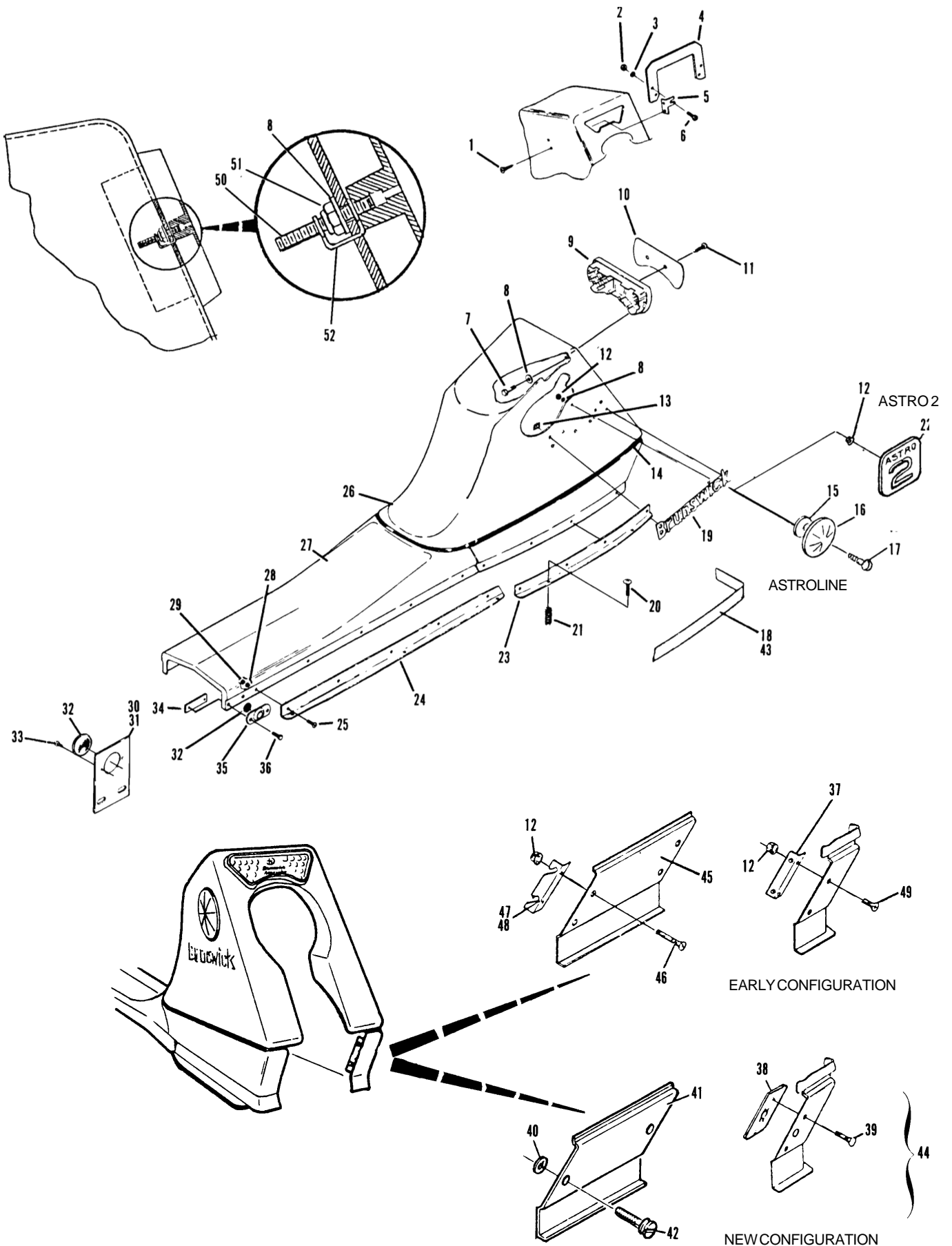


**Subway Return Power Lift Hood**

Index No.	Part No.	Description	Index No.	Part No.	Description
1.	N.A.	Self Tapping C.R. Flat Hd. Screw (#6 x 1/2")		N.A.	Front Hood - Astro 2 White and Brown
2.	11-170007-001	Self Locking Nut (1/4-20)	27.	N.A.	Rear Hood - Astroline Gray
3.	11-190508-001	Plain Washer		N.A.	Rear Hood - Astro 2 Brown
4.	N.A.	Hood Stabilizer		N.A.	Plain Washer (1/4)
5.	N.A.	Mounting Bracket	28.	11-190010-001	Self Locking Nut - Thin (1/4-20)
6.	11-001186-001	Hex Hd. Cap Screw (1/4-20 x 1-1/4")	29.	11-170106-001	Reflector and Bracket Assembly
7.	11-001058-001	Hex Hd. Cap Screw (10-24 x 1/2")	30.	53-600074-000	Bracket Only
8.	11-190006-001	Plain Washer (#10)	31.	53-600073-000	Reflector Only
9.	N.A.	Bezel - Astroline Gray	32.	53-600101-000	C.R. T. Hd. Machine Screw w/Nylok (6-32 x 5/16")
	N.A.	Bezel - Astro 2 White	33.	11-024524-001	Twin Pilot Nut (8-32)
10.	N.A.	Cover Glass			Bracket Only
11.	N.A.	C.R. Pan Hd. Machine Screw (8-32 x 3/8")	34.	N.A.	Reflector Only
12.	11-176006-001	Keps Nut (10-24)	35.	N.A.	C.R. T. Hd. Machine Screw (8-32 x 1/2")
13.	N.A.	Push On Fastener	36.	11-024127-001	Hood Bracket
14.	N.A.	Black Plastic Tape (3/8") - Roll	37.	N.A.	Receptacle
	N.A.	Blue Plastic Tape (3/8") -Roll	38.	N.A.	Pop Rivet (1/8)
15.	53-520078-003	Shim	39.	N.A.	Retainer
16.	N.A.	Blue Emblem	40.	N.A.	Door Assembly - Astroline Gray
	N.A.	Yellow Emblem	41.	N.A.	Door Assembly - Astro 2 Brown
	N.A.	Orange Emblem		N.A.	Screw Fastener
	N.A.	Green Emblem	42.	N.A.	Cement (Pint)
17.	N.A.	Ribbed Neck Carriage Bolt (10-24 x 1-1/2")	43.	11-676027-000	Cement (Gallon)
18.	N.A.	Base Moulding (Linear Feet)	44.	11-676047-000	Door Modification Kit - Astroline Gray Only
19.	N.A.	Name Plate - Astroline Gray	45.	N.A.	Fibreglass Door
20.	N.A.	C.R. T. Hd. Machine Screw w/Nylok (5/16-18 x 3/4")	46.	11-014082-001	C.R. Flat Hd. Machine Screw (10-24 x 3/8")
21.	N.A.	Taplok Insert (5/16-18)	47.	N.A.	R.H. Door Bracket - Opposite
22.	N.A.	Astro 2 Emblem	48.	N.A.	L.H. Door Bracket - Shown
23.	N.A.	Mounting Bracket	49.	N.A.	C.R. Flat Hd. Machine Screw (10-24 x 3/4")
24.	N.A.	L.H. Mounting Bracket - Shown	50.	N.A.	Set Screw (10-24 x 1-1/4")
	N.A.	R.H. Mounting Bracket - Opposite	51.	11-170104-001	Self Locking Nut - Thin (10-24)
25.	N.A.	C.R. Oval Hd. Machine Screw (1/4-20 x 3/4")	52.	N.A.	Retainer Wire
26.	N.A.	Front Hood - Astroline Gray			

N.A. = No Longer Available

## Concealed Surface Hood



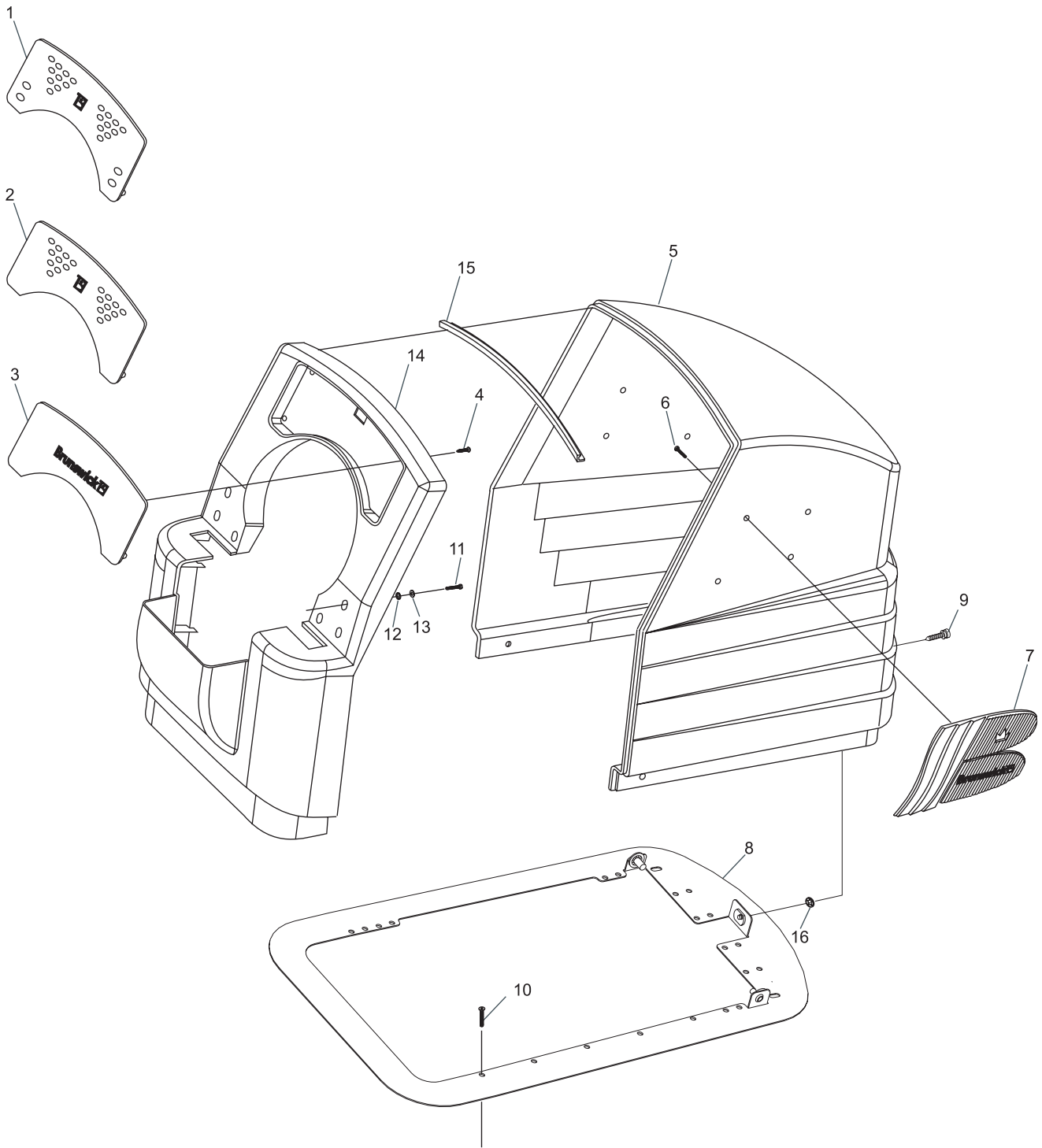
**Concealed Surface Hood**

**Index**

<b>No.</b>	<b>Part No.</b>	<b>Description</b>
1.	53-400052-000	Player Control Station
2.	53-400053-000	Pinfall Display
3.	*53-400009-xxx	Throat Decorative Insert
4.	11-082703-001	Type "B" C.R. Pan Hd. Screw (#12-14 x 1/2")
5.	53-860937-000	Hood Assy. - Ball Lift (includes Item numbers 3 and 15)
6.	11-082683-001	Type "B" C.R. Pan Hd. Screw (#10-16 x 3/8")
7.	*53-400048-xxx	Assembly - Side Logo
8.	53-861035-000	Flange - Ball Lift Hood (includes index numbers 10, 9, and 16)
9.	11-690544-000	Knurled Captive Screw (1-1/4")
10.	11-081201-000	Robertson Flat Hd. Socket Screw (#10 - 1 1/2")
11.	11-001182-001	Hex Head Cap Screw (1/4-20 x 3/4")
12.	11-195014-001	Lockwasher (1/4")
13.	11-191010-001	Flat washer (1/4")
14.	53-861027-000	Throat - Ball Rack
15.	53-400044-000	Hood Lip Trim
16.	11-690545-000	Captive Screw Retainer
17.	*53-861090-2xx	Color Kit - Ball Return includes item numbers 3 and 7. Also includes wear strip, ball rail extrusion and decal vent. - not illustrated

## \* Color Chart

Part No. Suffix	Primary Color	Secondary Color
-104	ORANGE	
-105	GRAPE	
-113	DARK BLUE	
-116	DARK TEAL	
-101	DARK GREY	
-102	LIGHT GREY	
-220	BLUEBERRY	BANANA accent
-221	KIWI	BLUEBERRY accent
-222	CRANBERRY	BANANA accent
-223	GRAPE	KIWI accent
-224	BANANA	GRAPE accent
-225	STRAWBERRY	BANANA accent



### Framework Hood